

KENWOOD

Dishwasher



KDW1274W



DSG Retail Limited is responsible for after sales service.
If you have a query about the product please contact our product support line
0844 561 6263 (Currys) and 08700 118 117 (Pixmania).

table of contents

table of contents	4~5
know your Kenwood dishwasher	6
safety information	7~10
disposal of the dishwasher	10

before operating	16~20
to open the door	16
to close the door	16
items not suitable for use in the dishwasher	16
adding the detergent or detergent tablet	17
adding of rinse aid	18
adding of salt	19-20
adjusting salt consumption	20
loading the dishwasher	21~28
before loading the dishwasher	21-22
upper basket	22-23
adjusting the upper basket	22
loading the upper basket for 12 place settings	23
hinged cup rack	23
lower basket	24
hinged spikes	24
loading the lower basket for 12 place settings	24
cutlery basket	25
loading the cutlery basket	25
starting a wash cycle	26-28
changing a programme	26-27
at the end of programme	27
switching off the unit	27

cleaning after use	29~30
external care	29
door and door seals	29
control panel	29
internal care	29-30
filtering system	29-30
spray arms	30
frost precaution	31
moving the dishwasher	31

disposal of packing material	11
product overview	12~13
accessories	13
control panel overview	14~15

before use

unloading the dishwasher	27
delay start	28

operating instructions

maintenance after prolonged periods of non-operation	31
troubleshooting guide	31~34
fault codes	32
technical problems	33
general problems	33-34
specifications	35

care, maintenance
and troubleshooting

know your Kenwood dishwasher

before using your Kenwood appliance

- Read these instructions carefully and retain for future reference.
- Remove all packaging labels. Please dispose of them properly.

before calling for service

- Refer to Troubleshooting Tips section. This will help you to solve some general problems by yourself.

note

- This product has been wet tested to ensure correct operation. As a result some water may remain inside the unit. This is normal and safe. Remove any water droplets from the exterior if necessary.



safety information

general safety

- Switch off and unplug before fitting or removing tools/attachments, after use and before cleaning.
- Keep your fingers away from moving parts and fitted attachments.
- Never use a damaged machine.
- Keep cord out of reach from children.
- Keep the power unit, cord or plug away from water.
- Never exceed the maximum capacities.
- When using an attachment, read the accompanying safety instructions.
- Take care when lifting this appliance.
- This appliance is not intended for use by persons (including children) with reduced physical, sensory or mental capabilities, or lack of experience and knowledge, unless they have been given supervision or instruction concerning use of the appliance by a person responsible for their safety.
- Children should be supervised to ensure that they do not play with the appliance.
- Only use the appliance for its intended domestic use. The company responsible for this product, DSG Retail Limited, will not accept any liability if the appliance is subject to improper use, or failure to comply with these instructions.

safety information



earthing instructions

- **WARNING: THIS APPLIANCE MUST BE EARTHED.**

- This appliance is equipped with a cord having an equipment-earthing conductor and an earthing plug.
- The plug must be plugged into an appropriate outlet that is installed and earthed in accordance with local standards and requirements.

warning!

- Improper connection of the equipment-earthing conductor could result in a risk of electric shock.
- The wires in the cord are coloured as follows:
Green and Yellow = Earth,
Blue = Neutral,
Brown = Live.
- Check with a qualified electrician or service representative if you are in doubt whether the appliance is properly earthed or the plug does not fit correctly.
- Never modify the plug provided with the appliance.

proper use

- Do not sit or stand on the door or dish rack.
- Do not touch the heating element during or immediately after use.
- Do not operate your dishwasher unless all enclosure panels are properly in place. Open the door very carefully when there is a programme running as there is a risk of hot water spraying out of the appliance.
- Do not place any heavy objects on the open door. The appliance could tip.
- When loading items to be washed:
 - 1) Locate sharp items so that they will not damage the door seal;



safety information

2) Warning: Knives and other utensils with sharp points must be loaded in the basket with the points downwards or placed horizontally.

- Do not allow plastic items to come into contact with heating element.
- Check that the detergent receptacle is empty after completion of the wash cycle.
- Do not wash plastic items unless they are marked dishwasher safe or equivalent.
- Use only detergent and rinse aids designed for an automatic dishwasher.
- Other means for disconnection from the supply must be incorporated in the fixed wiring with at least 3mm contact separation in all poles.
- Keep children away from detergents and rinse aids. These may cause chemical burns in the mouth, throat and eyes or asphyxiation.
- Keep children away from the dishwasher when the door is open.
- The door should not be left in the open position since this could present a tripping hazard.
- For energy saving, always remember to switch the dishwasher off when you have finished using it. The dishwasher should not be left unattended when in use.
- If the supply cord is damaged, it must be replaced by the manufacturer or its service agent in order to avoid a hazard.
- Remove the door to the washing compartment when removing an old dishwasher from service or discarding it.

safety information

- During installation, the power supply cord must not be excessively or dangerously bent or flattened.
- Do not tamper with controls.
- The appliance is to be connected to the water mains using new hose sets.
- The maximum number of place settings to be washed is 12.
- The maximum permissible inlet water pressure is 1Mpa, and the minimum permissible inlet water pressure is 0.04Mpa.

disposal of the dishwasher

- When disposing your old dishwasher, first make it unusable. Disconnect, cut off the cable and the plug from the cable. Make the door lock inoperative, so that children cannot accidentally shut themselves in. Make appropriate arrangements for the disposal of the dishwasher.
- At the end of its working life, the product must not be disposed of as urban waste. It must be taken to a special local authority differentiated waste collection centre or to a dealer providing this service.
Disposing of a household appliance separately avoids possible negative consequences for the environment and health deriving from an inappropriate disposal and enables the constituent materials to be recovered to obtain significant savings in energy and resources. As a reminder of the need to dispose of household appliances separately, the product is marked with a crossed-out wheeled dustbin.
- Please ensure that it presents no danger to children while being stored for disposal.

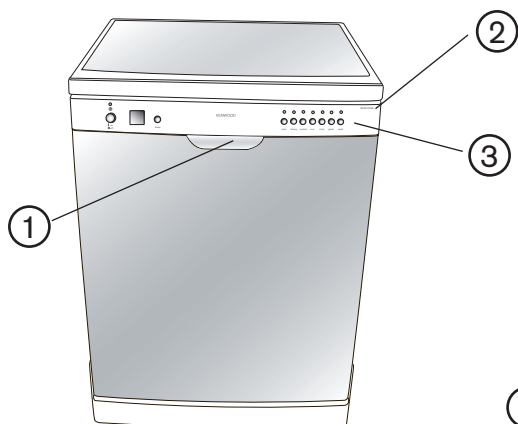


disposal of packing material

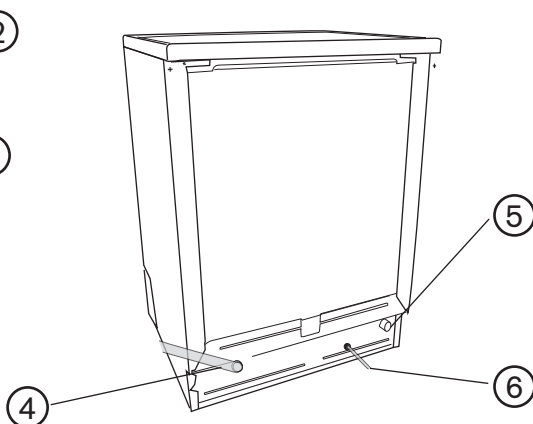
- Please dispose of the plastic wrappings, bags etc safely and keep out of the reach of babies and young children.

product overview

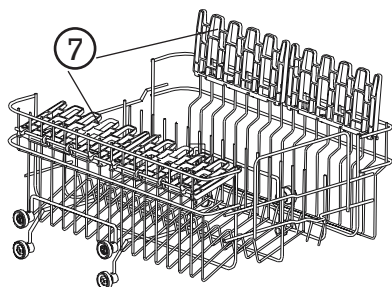
front view



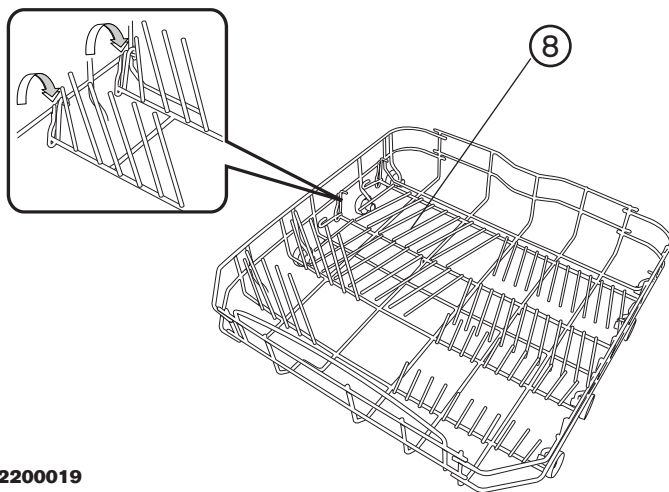
rear view



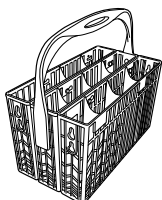
upper basket



lower basket



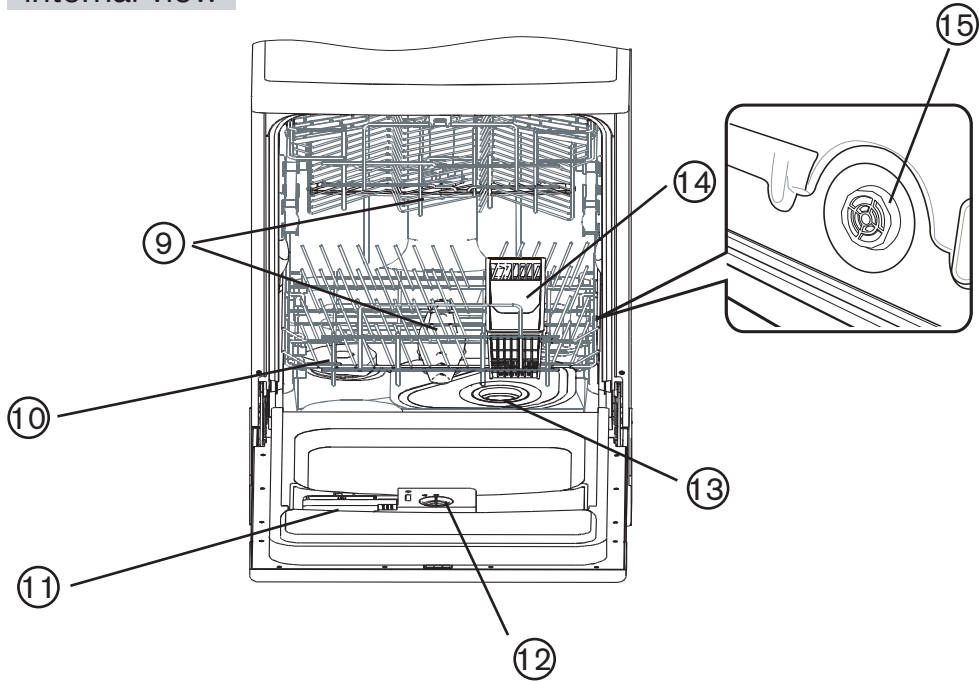
cutlery basket



part number 673002200019
and 673002200024

1. door handle
2. dishwasher model number
3. control panel
4. drain hose
5. water inlet (connect to safety supply hose)
6. mains cable (connect to electrical mains outlet)
7. cup racks
8. spikes

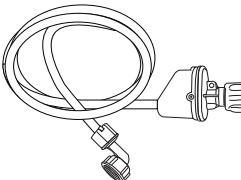


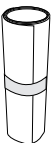
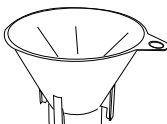
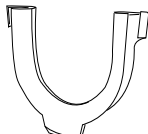

internal view



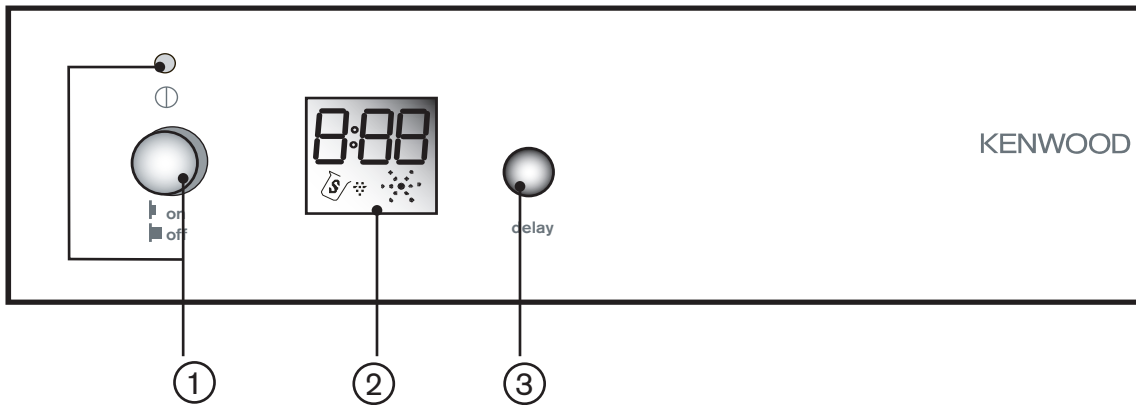
before use

- 9. spray arms (1 - under upper basket and 1 - under lower basket)
- 10. salt reservoir
- 11. detergent dispenser (dual compartment)
- 12. rinse aid dispenser
- 13. filtering system
- 14. cutlery basket
- 15. pressure switch

accessories

 <p>safety supply hose X 1 part number 673000900093</p>	 <p>detergent measuring spoon x 1 1 full spoon = 20g (approx.) part number 673002200079</p>	 <p>measuring cup X 1 60ml (approx.) part number 73006200004</p>	
 <p>condensation strip X 1 part number 675001300715</p>	 <p>salt funnel X 1 part number 673002200043</p>	 <p>U-shape hose holder X 1 part number 673006200003</p>	 <p>cutlery basket covers X 3 part number 673002200025</p>

control panel overview



①

on/off button

- to turn the dishwasher on and off.
- the LED light will illuminate when the dishwasher is on.

③


delay start button


- to preset the wash timer and delay the starting time by up to 24 hours.
- each press of this button increases the delay start time by 1 hour interval.

②

display window

- to display remaining programme time, delay start time, fault code, salt refill warning and rinse aid refill warning.

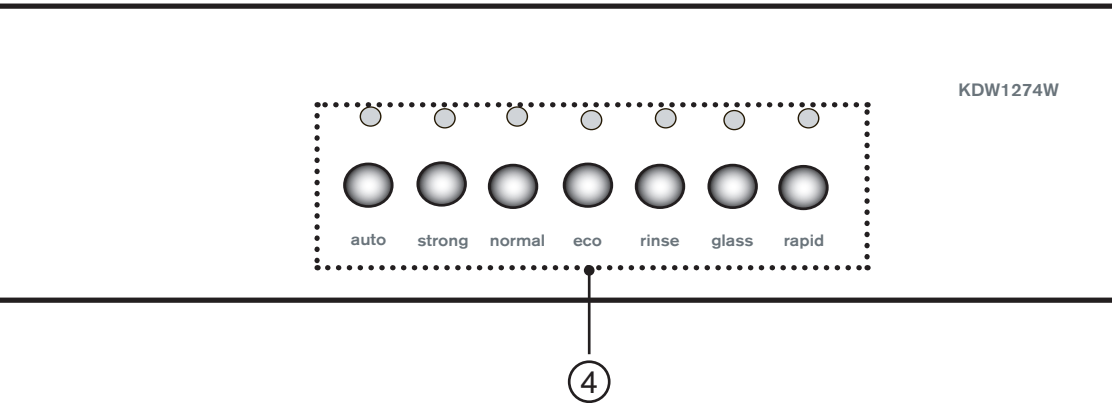
 *salt refill warning light*
- illuminates when the salt reservoir needs refilling.

 *rinse aid refill warning light*
- illuminates when the rinse aid dispenser needs refilling.

④

programme buttons

- to select your required washing programme.



wash cycle table

Programme	Cycle Selection Information	Process	Detergent Amount (Pre-wash / Main wash)	Running Time (min.)	Energy Consumption (Kwh)	Water Consumption (l)	Rinse Aid
auto#	Pots, utensils and cutlery. Highly soiled.	<ul style="list-style-type: none"> • pre-wash (40°C) • autowash (50-60°C) • rinse • rinse (70°C) • drying 	<ul style="list-style-type: none"> • pre-wash (5g) • main wash (25g) 	161#	1.1 - 1.4	11 - 14.5	○
strong	Pots, utensils and cutlery. Heavily soiled.	<ul style="list-style-type: none"> • pre-wash (50°C) • pre-wash • wash (60°C) • rinse (twice) • rinse (70°C) • drying 	<ul style="list-style-type: none"> • pre-wash (5g) • main wash (25g) 	185	1.7	22.8	○
normal	Utensils and cutlery. Normally soiled.	<ul style="list-style-type: none"> • pre-wash • pre-wash • wash (50°C) • rinse (65°C) • drying 	<ul style="list-style-type: none"> • pre-wash (5g) • main wash (25g) 	160	1.05	17	○
eco	Utensils and cutlery. Lightly soiled.	<ul style="list-style-type: none"> • pre-wash • wash (45°C) • rinse (60°C) • drying 	<ul style="list-style-type: none"> • main wash (25g) 	110	0.85	13.4	○
rinse	for items that need to be rinsed and dried only.	<ul style="list-style-type: none"> • wash (45°C) • rinse (70°C) • drying 	<ul style="list-style-type: none"> • n/a 	100	1.0	9.9	○
glass	Glasses, crystal and fine china. Lightly soiled.	<ul style="list-style-type: none"> • pre-wash • wash (40°C) • rinse (70°C) • drying 	<ul style="list-style-type: none"> • main wash (20g) 	120	0.95	13.4	○
rapid	A shorter wash for lightly soiled items that do not need drying.	<ul style="list-style-type: none"> • wash (40°C) • rinse (45°C) 	<ul style="list-style-type: none"> • main wash (20g) 	30	0.45	8.9	✕

The running time will vary due to automatic evaluation system of the dishwasher. This system has an Aqua Sensor which can measure the turbidity of the rinsing water, and will optimise the water temperature and running time to get your dishes clean as quickly as possible.

before operating

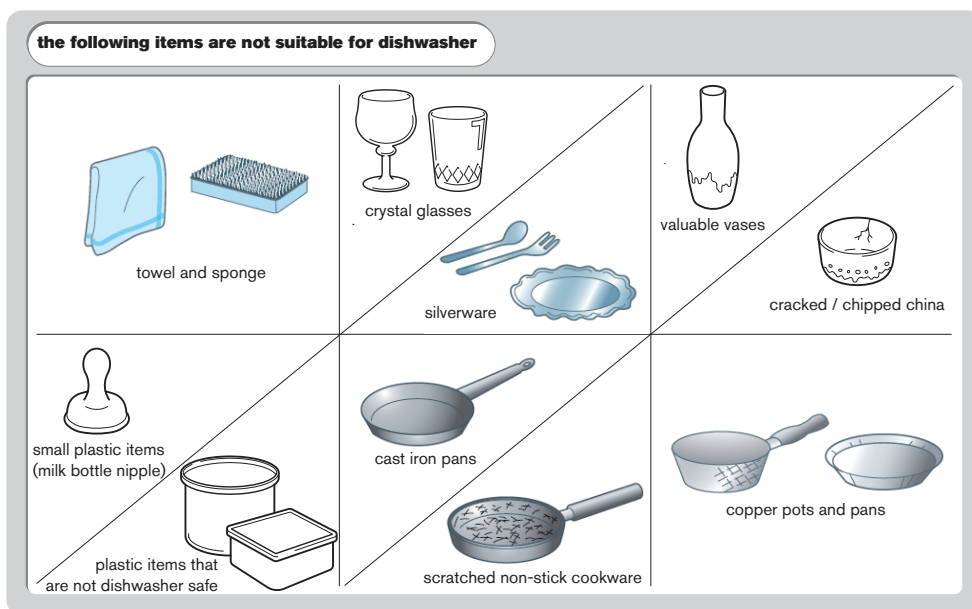
to open the door

- Pull the door handle.
- If the door is opened during operation all functions are automatically interrupted.

to close the door

- After loading the dishes, push the baskets fully into the dishwasher.
- Lift the door upwards and push until it clicks into position.
- Do not slam the dishwasher door.

items not suitable for use in the dishwasher



When purchasing new crockery and cutlery, please make sure they are dishwasher-proof. Some items are not suitable for dishwashers.

- Wooden cutlery and crockery or items with wooden parts may discolour and fade. The glue used in these items is not dishwasher-proof either, and the wooden handles may come loose after being washed in a dishwasher.
- Craft items, antiques, valuable vases and decorative glassware are also not suitable for dishwashers.
- Plastic items (e.g. tupperware) which are not heat resistant may melt or lose shape due to the high temperatures in the dishwasher.
- Copper, brass, tin and aluminium items may discolour or become matt.

- Clouding may occur on glasses and delicate glassware after frequent washing. Do not wash delicate glassware, or glassware containing lead crystal in a dishwasher. Please wash delicate glassware by hand instead.
- Silver and aluminium parts have a tendency to discolour during washing. Residues like egg white, egg yolk and mustard often cause discolouring and staining on silver. Therefore, please clean the residues from silver immediately after use.

adding the detergent or detergent tablet

Only use detergents specifically designed for use in dishwashers.

To be more environmentally friendly, please use no more than the correct amount of detergent.

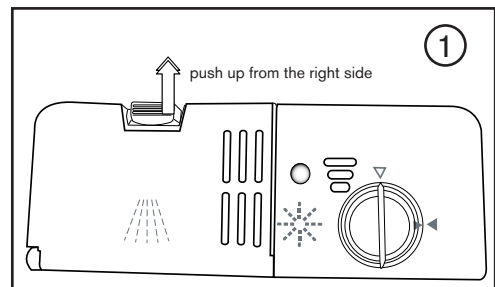


WARNING!

Keep out of the reach of children
 - Irritating to eyes.
 - Avoid contact with eyes. In case of contact with eyes, rinse immediately with plenty of water and seek medical advice.
 - If swallowed, seek medical advice immediately.

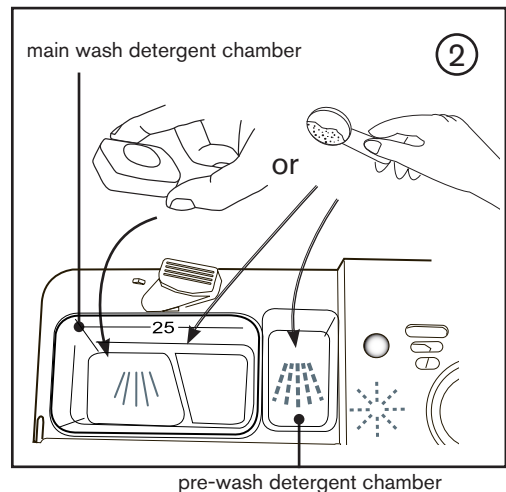
Please follow the steps below to fill the detergent dispenser.

1. Push the button on the lid of the detergent dispenser in the direction of the arrow until the flap springs open. (Fig 1)
2. Fill the detergent dispenser with detergent powder or insert the detergent tablet. The marking indicates the dosing level. (Fig 2)



TIP: You can choose to add a detergent tablet alone or to add detergent powder to both main wash detergent chamber and the pre-washer detergent chamber for your selected wash cycle.

1. All programmes with pre-wash need an additional detergent dosage (please refer to the wash cycle table) that must be placed in the pre-wash detergent chamber. This detergent will take effect during the pre-wash phase. (Fig 2)
2. Close the lid firmly so that it clicks into place.

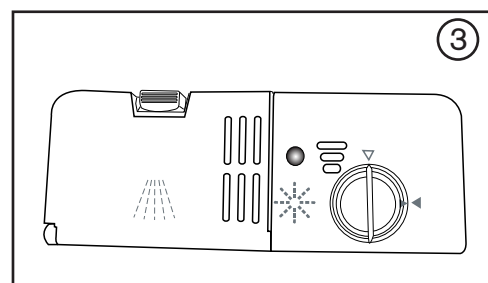
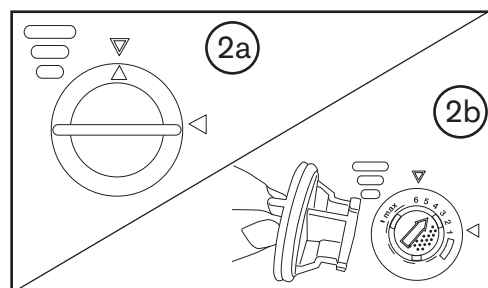
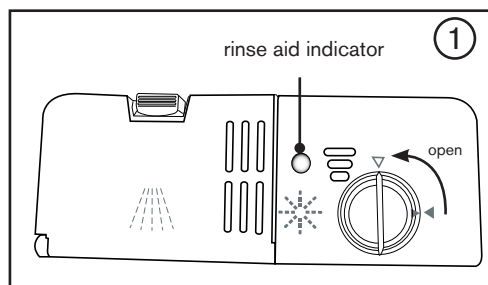


adding of rinse aid

Rinse aid helps to ensure water does not cling and leave marks on crockery during the drying phase and helps crockery dry faster after it has been washed. Only pour rinse aid that is for domestic dishwashers into the reservoir. This model is designed to use liquid rinse aids only.

Please follow the steps below to pour the rinse aid into the storage reservoir, and the amount will dispense automatically.

1. Turn the cap and open as indicated in Fig 1.
2. When the cap open marking is aligned (Fig 2a), you may lift the cap up (Fig 2b).
3. Pour the rinse aid until the level indicator turns completely black in colour and close the cap. (Fig 3)
4. Be careful not to overfill the reservoir. Wipe up any spills. The approximate volume of the rinse aid reservoir is 110ml.



NOTE: If the water hardness in your area is soft, you may not need rinse aid as it may cause white film to develop on your dishes.

Rinse aid indicator light on the display window will illuminate when the reservoir is running out of rinse aid and required re-filling.



rinse aid indicator on the display window

Alternatively, you can judge the amount of rinse aid by checking the rinse aid indicator right next to the reservoir's cap. When the indicator is black, it means it is full. When it is clear, it means it is almost empty.

adjusting rinse aid reservoir

The rinse aid reservoir has six settings. Both the recommended setting and the factory setting is “4.” (Fig 2b on page 18)

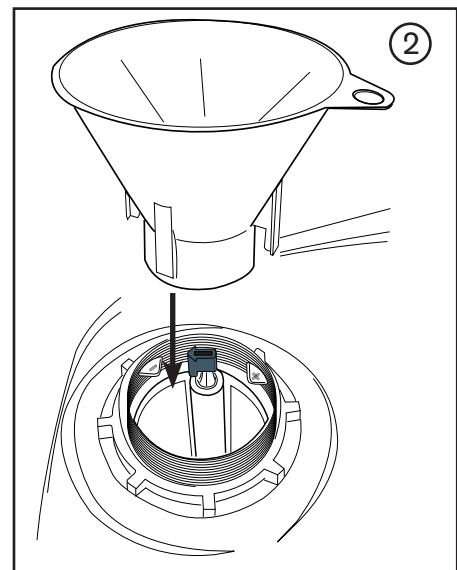
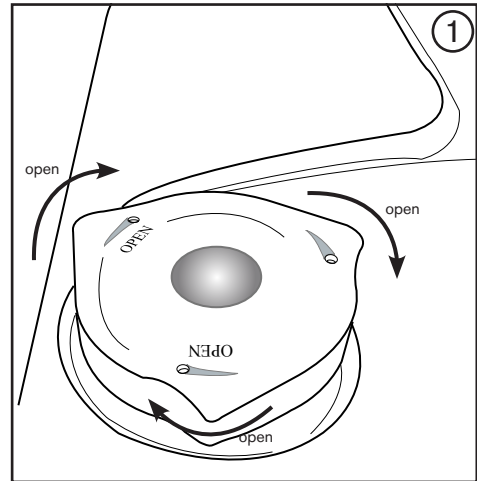
If the dishes are not drying properly or are spotted, adjust the dial to the next higher number until your dishes are spot-free.

adding of salt

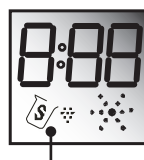
If the water in your area is hard, deposits will form on your dishes and utensils. As such, this appliance contains a salt reservoir for you to reduce the hardness of the water.

Please follow the steps below to pour the salt into the salt reservoir and it must be set to correspond to the water hardness level in your area.

1. Remove the lower basket and unscrew the reservoir cap. (Fig 1)
2. Fill the reservoir with approximately 500ml of water (first use only).
3. Place the funnel provided over the salt reservoir. (Fig 2)
4. Place approximately 1.2kg of salt depending on the brand used.
5. Clean any excess salt from around the reservoir opening and then screw the cap on again firmly.
6. Run the “rapid” wash programme immediately (without any crockery in the dishwasher) to remove any traces of salt from the compartment.



The salt indicator light on the display window will illuminate when the reservoir is running out of salt and required re-filling.



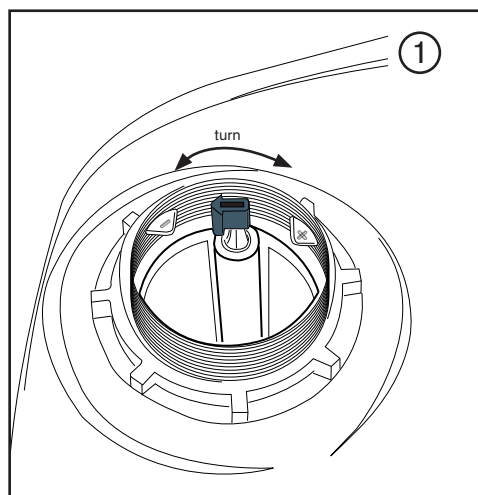
salt indicator on the display window

The salt indicator light will cease to illuminate within a few days depending on how quickly the salt dissolves.

adjusting salt consumption

To optimise and customise the level of salt consumption, please follow the steps below to adjust the salt consumption.

1. Remove the lower basket and unscrew the reservoir cap.
2. There is an arrow-shaped indicator in the reservoir, which allows you to turn. You may turn it to the “-” or “+” settings based on the water hardness in your area. (Fig 1)



It is recommended that adjustments should be made in accordance with the following chart.

WATER HARDNESS				Selector Position	Salt Consumption (gram/cycle)	Auto nomy (cycle/1.2 kgs)
°dh	°fh	°Clark	mmol/l			
0-8	0-14	0-10	0-1.4	/	0	/
8-22	14-39	10-28	1.4-3.9	-	20	60
22-45	39-80	28-56	3.9-8	Mid	40	30
>45	>80	>56	>8	+	60	20

NOTE:

1 °dh (German degree) = 1.25mmol/l

1 °fh (French degree) = 0.178mmol/l

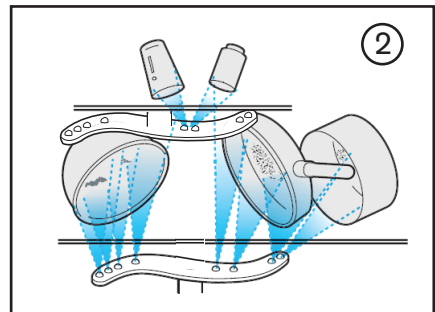
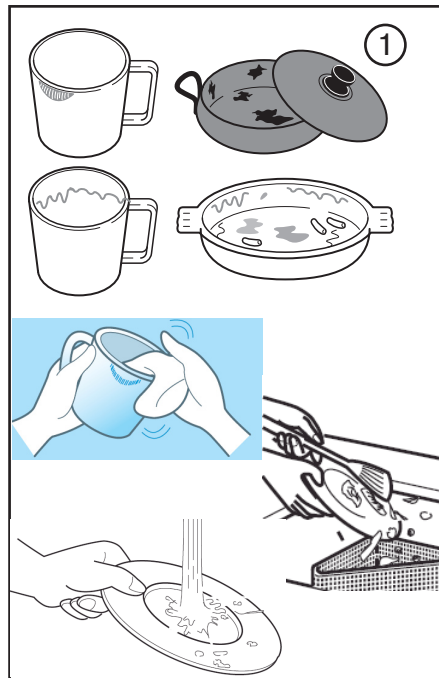
1 °Clark (British degree) = 1.78mmol/l

loading the dishwasher

before loading the dishwasher

In general, please observe the following notes prior loading your cutlery and crockery in the basket.

- Remove lipstick stains and coarse food residues from crockery and dishes. Rinse if necessary. (Fig 1)
- Dishes and Cutlery must not lay inside one another, or cover each other.
- Load your cutlery and crockery so that water can access all surfaces. (Fig 2)
- Ensure all items are securely positioned.
- Hollow items such as cups, glasses, pans, etc. must be placed upside down in the basket.
- Wide based items should be placed at an angle so that water can run off them freely.
- The spray arms must not be blocked by items which are too tall or hang through the baskets. If in doubt, test for free movement by manually rotating the spray arms.
- Ensure that small items cannot fall through the holders in the baskets.



⚠ CAUTION: Do not wash items soiled with ash, sand, wax, lubricating grease or paint in the dishwasher. Ash does not dissolve and can distribute in the dishwasher. Wax, sand, lubricating grease and paint can cause damage to the dishwasher.

⚠ For safety reasons, do not operate the dishwasher without the upper and lower baskets in place.

upper basket

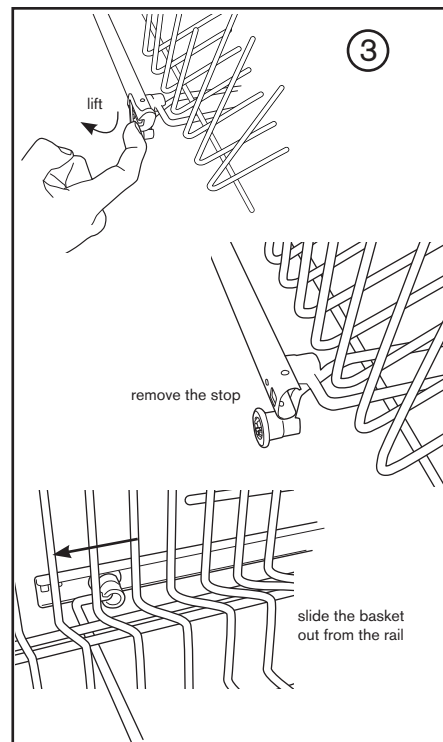
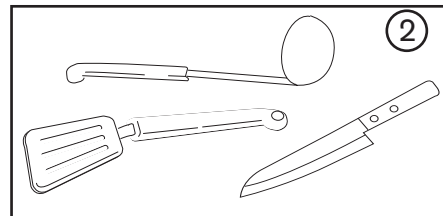
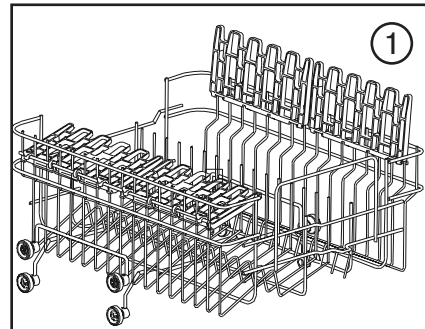
Please use the upper basket for small and lightweight items such as cups, saucers, glasses, dessert bowls, etc. Shallow pans or casserole dishes can also be placed in the upper basket. (Fig 1)

Long items such as soup ladles, mixing spoons and long knives (Fig 2) should be placed lying down across the front of the upper basket.

adjusting the upper basket

More space can be created for large items on the upper or lower baskets by adjusting the height of the upper basket.

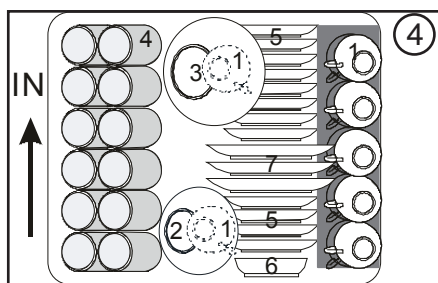
Ensure that the rail stop is placed back properly after the height adjustment. (Fig 3)



loading the upper basket for 12 place settings

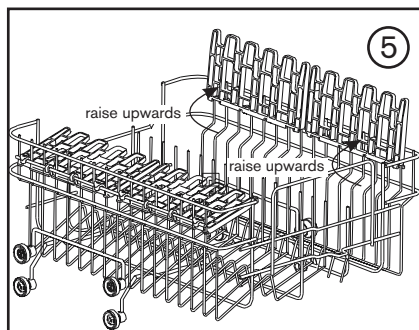
For placement method of the upper basket, please refer to the table below and Fig 4.

Number	Item
1	Cups
2	Small serving bowl
3	Large serving bowl
4	Glasses
5	Saucers
6	Small dish
7	Dessert dishes



hinged cup rack

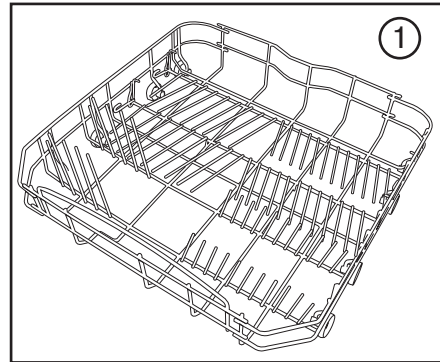
To make room for taller items in the upper basket, raise the cup rack upwards. (Fig 5) You can lean the tall glasses against it. You can also remove it when it is not required for use.



TIP: To prevent water dripping from the upper basket onto the dishes in the lower basket, we recommend that you empty the lower basket first and then the upper basket.

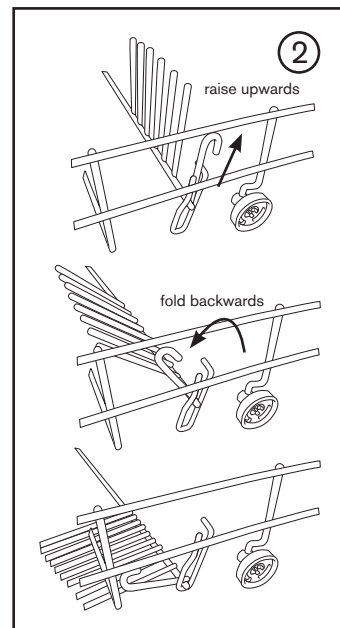
lower basket

We recommend that large and the most difficult to clean items are placed in the lower basket (Fig 1), such as plates, serving platters, saucepans, serving bowls, pots, pans, lids etc. We recommend placing serving dishes and lids at the side of the basket to avoid blocking the rotation of the spray arms.



hinged spikes

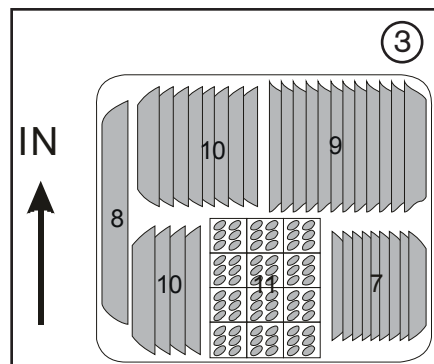
The spikes are used for holding plates and platter. They can be lowered to make more room for large items. Please refer to Fig 2 for the steps to lower the spikes.



loading the lower basket

For placement method of the lower basket, please refer to the table below and Fig 3.

Number	Item
7	Dessert dishes
8	Oval platter
9	Dinner plates
10	Soup plates
11	Cutlery basket



cutlery basket

loading the cutlery basket

To make unloading much easier, cutlery should be grouped in zones and placed in the cutlery basket. Please refer to the table below and Fig 1 for placement method.

Number	Item
1	Forks
2	Soup spoons
3	Dessert spoons
4	Teaspoons
5	Knives
6	Serving spoons
7	Gravy ladle
8	Serving fork

WARNING!

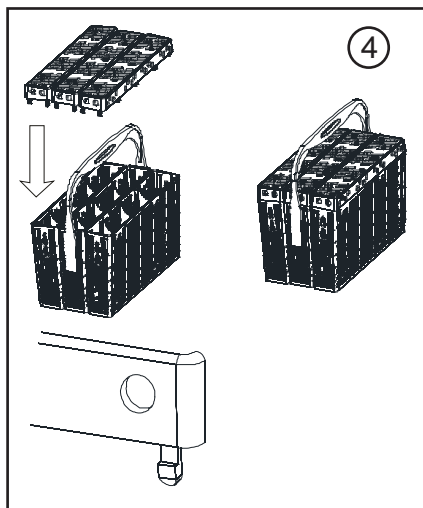
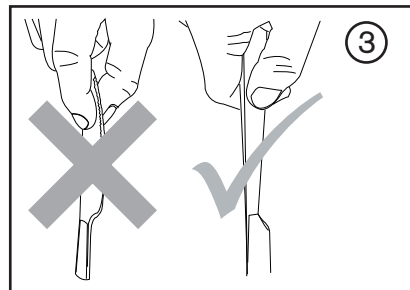
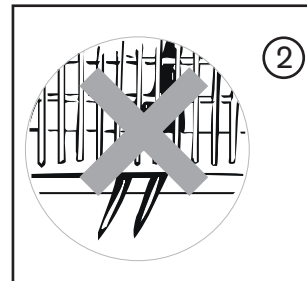
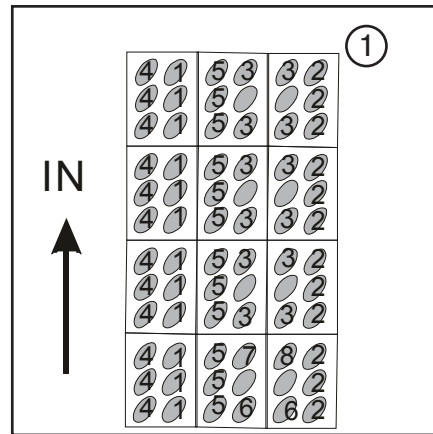
Do not let any items extend through the bottom of baskets. (Fig 2)

To avoid the risk of injury, please load your knives and forks with handles upwards. Do not hold them by their sharp edges. (Fig 3)

The cutlery basket comes with covers, and they are designed for you to load the cutlery into appropriate slots. (Fig 4) If you use the basket without the cover, it may reduce the washing result of your cutlery.

Please ensure the cover is securely locked to the basket before operation.

To comply with Standards of Performance, i.e. EN50242, please ensure all the cutlery must be loaded according to the instruction in this manual.



starting a wash cycle

Please follow the steps below to start a wash cycle.

1. Ensure the unit is connected to the mains power and the water supply is fully opened (water pressure between 0.04MPa and 1.00MPa).
2. Open the door. Pull out the lower and upper baskets, load the dishes and push the baskets back. It is recommended that the lower basket is loaded first, and then the upper basket.
3. Pour in the detergent or place the detergent tablet in the detergent compartment. Ensure the lid is firmly closed afterward.
4. Do not slam the dishwasher door. A click sound should be heard when the door is closed correctly.
5. Press ON/OFF button.
6. Select the wash cycle programme based on the loading and soil requirements. Please refer to the “Wash Cycle Table” (page 15).
7. The indicator light of the selected programme will illuminate.
8. The washing cycle will begin shortly.

NOTE: If you open the dishwasher’s door during the washing cycle and then close it, the dishwasher will continue the current washing programme after 10 seconds. However, if the door is not closed correctly after 1 minute, the dishwasher will make an audible sound at 1 minute intervals.

changing a programme

To change the programme if the washing cycle has already started, please follow the steps below.

1. Open the door slightly to check if the unit has dispensed the detergent or detergent tablet. This will depend on how long the washing cycle was running for.
2. If the detergent dispenser lid is opened, we suggest you to allow the wash cycle to complete.
3. If the detergent dispenser lid is still closed, press and hold down the current programme button for 3 seconds to cancel the programme. You may then close the dishwasher door and press the required new programme button. The unit will start the new washing cycle shortly.

4. The display window shows the state of the dishwasher.
 - a) “-:--” means the unit is on stand by mode.
 - b) “H:MM” and not blinking means the unit is on pause.
 - c) “H:MM” and blinking means the unit is running.

at the end of a programme

At the end of a programme, the unit will sound and the display window will return to “-:--”.

NOTE: The condensation strip helps to prevent the risk of steam damage to the worktop edging above the dishwasher, it is advisable to leave the door closed until you are ready to unload the crockery. You may also open the dishwasher door fully until the dishes and crockery are cool enough to unload. Do not leave the door only partially open.

switching off the unit

For energy saving, please remember to switch the dishwasher off using the “off” button. The dishwasher will continue to use electricity until it is switched off with the “off” button.

If the dishwasher is not going to be used for a long period of time, e.g. whilst on holiday, please disconnect the unit from the mains supply.

unloading the dishwasher

Allowing dishes to cool down before unloading is important because dishes tend to break and chip more easily when they are hot. Therefore, if you open the dishwasher door fully after switching off this will allow the dishes to cool down much faster.

We suggest:

Unload the lower basket first, followed by the cutlery basket and then the upper basket.

This will prevent water drops from the upper basket from falling on to the dishes in the lower basket.

delay start

The starting time of a washing programme can be delayed and adjusted. Please follow the steps below.

1. Open the dishwasher door and load your soiled dishes and crockery.
2. Press the “on” button to turn on the dishwasher.
3. Select your preferred programme.
4. Press the “delay start” button.
5. Set the required delay start time using the “delay start” button.

NOTE: Each press of this button increases the delay start time by 1 hour increment.

6. Close the door and the unit will start the programme at the assigned time automatically.

cleaning after use

external care

the door and the door seal

- Clean the door seals regularly with a soft damp cloth to remove food deposits.
- When the dishwasher is being loaded, food and drink residues may drip onto the sides of the dishwasher door. These surfaces are outside the wash cabinet and are not accessed by water from the spray arms. Any deposits should be wiped off these surfaces before the door is closed.

the control panel

- If cleaning is required, the control panel should be wiped with a soft damp cloth **ONLY**.

⚠ ATTENTION: To avoid penetration of water into the door lock and electrical components, do not use a spray cleaner of any kind. Never use abrasive cleaners or scouring pads on the outer surfaces because they may scratch the finish. Some paper towels may also scratch or leave marks on the surface.

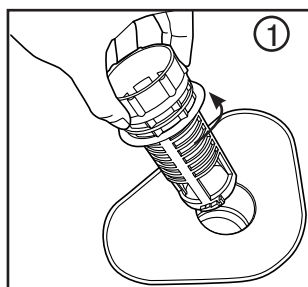
internal care

filtering system

The filtering system in the base of the wash cabinet retains coarse soil from the suds solution. Collection of coarse soil may cause the filters to clog. Check the condition of the filters regularly and clean them if necessary under running water.

Please follow the steps below to clean the filters in the wash cabinet.

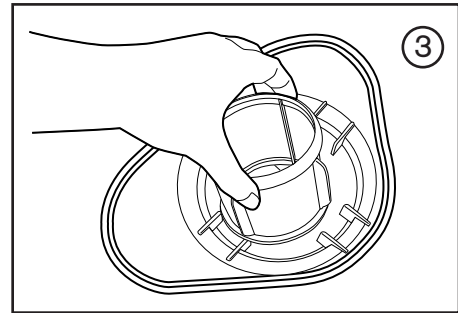
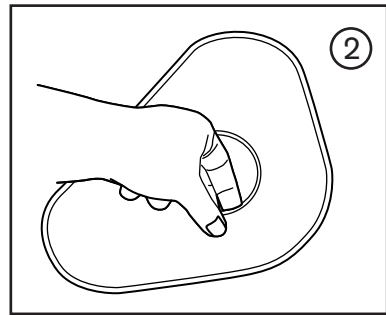
- Ensure the dishwasher is switched off.
- Unscrew the coarse filter, and gently lift it out. (Fig 1)



- Gently lift the main filter out. (Fig 2)
- Gently lift the fine filter with care. (Fig 3)
- Rinse all the filters under running water, then refit all filters in the following order.
- Gently refit the fine filter with care. (Fig 3)
- Gently refit the main filter. (Fig 2)
- Gently rescrew the coarse filter in clockwise direction. (Fig 1 on Page 29)

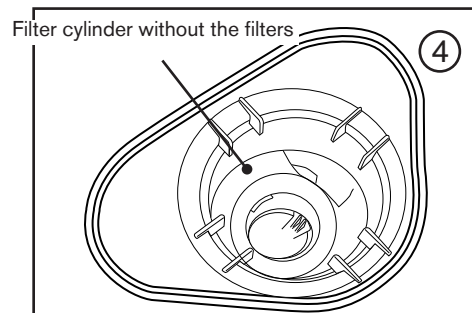
NOTE: Do not over tighten the filters.

- Put the filters back to the filter cylinder in sequence securely. Otherwise coarse soil could get into the system and cause a blockage.



⚠ WARNING!

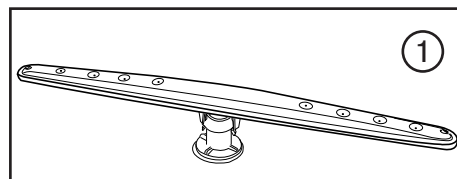
NEVER use the dishwasher without filters in place. Improper replacement of the filter may reduce the performance level of the appliance and damage dishes and utensils.



spray arms

Particles of food can get stuck in the spray arm jets and bearings. The spray arms should therefore be checked and cleaned regularly. (Fig 1)

- Use a pointed object, for instance a cocktail stick, to loosen food particles in the spray arms' jets.



NOTE: Do not attempt to remove the spray arms.

frost precaution

Avoid placing the dishwasher in a location where temperature is below 0°C. If your appliance is left in an unheated place over the winter, please do the following:

1. Disconnect from the mains.
2. Empty the dishwasher.
3. Close the dishwasher's door.
4. Disconnect the unit from the water inlet and drain. Use a suitable receptacle to catch the water.

Should you encounter difficulties to do the above steps, please ask a service technician for assistance.

moving the dishwasher

If you have to move the unit, for instance due to moving house, please do the following:

1. Disconnect the dishwasher from the mains.
2. Disconnect the unit from the water inlet and drain.
3. Remove the unit from the current location with the hoses discharged.
4. Pull the unit out together with the hoses.

NOTE: Avoid over tilting the unit during transportation.

maintenance after prolonged period of non-operation

If you are not going to use the unit for any prolonged period of time, you are advised to:

1. Disconnect the dishwasher from the mains.
2. Disconnect the unit from the water inlet and drain. Use a suitable receptacle to catch the water.
3. Slightly open the door to prevent unpleasant smells building up in the compartment.
4. Ensure the washing compartment of the unit is clean.

troubleshooting guide

⚠ Repairs should only be carried out by a qualified technician in strict accordance with current local and national safety regulations. Unauthorised or incorrect repairs could cause personal injury or damage to the unit.

fault code

Codes	Possible Causes	Remedy
E1	Water tap is not turned on.	Turn on the water tap.
	Low water pressure (<0.04MPa)	Turn on the water tap and ensure full opening position.
	Flow meter is broken.	<ul style="list-style-type: none"> ▪ Disconnect from the mains. ▪ Disconnect the water inlet. ▪ Call a qualified technician.
	The wire terminals which connect the flow metre are loose.	
The temperature sensor is broken.		
Heater element is broken.		
E3, E6, E7	The wire terminal connected to the heater is loose.	<ul style="list-style-type: none"> ▪ Disconnect from the mains. ▪ Disconnect the water inlet. ▪ Call a qualified technician.
	The wire terminal connected to the temperature sensor is broken.	
	The wire terminal connected to the temperature sensor is short circuited or open circuited.	
	The tank is leaking.	
E4	The hose is leaking.	<ul style="list-style-type: none"> ▪ Disconnect from the mains. ▪ Disconnect the water inlet. ▪ Call a qualified technician.
	The float switch is broken or PCB is faulty.	

technical problems

Technical problems		
Problem	Possible Causes	Remedy
The dishwasher does not start.	The door is not properly closed.	Close the door firmly.
	The unit is not connected to the mains.	Insert the plug to the mains.
	The unit is not switched on.	Press the "on" button and select a programme.
The drain pump is not working properly.	Fault code E4 - The anti-flooding system has operated.	<ul style="list-style-type: none"> ▪ Disconnect from the mains. ▪ Disconnect the water inlet. ▪ Call a qualified technician.
General problems		
Problem	Possible Causes	Remedy
Detergent residue is left in the dispenser at the end of the programme.	The detergent dispenser was still damp when detergent was added.	Make sure the dispenser is dry before adding detergent.
The detergent dispenser lid cannot be closed properly.	Clogged detergent residue is blocking the catch.	Clean the catch.
Knocking noise in the wash cabinet.	A spray arm is knocking against an item in a basket.	Interrupt the programme, and rearrange the items which are obstructing the spray arm. See the section "loading the dishwasher".
Smearing appears on glassware and cutlery.	The rinse aid dosage is set too high.	Adjust the dial of the rinse aid dispenser to a lower setting.

General problems (continue)		
Problem	Possible Causes	Remedy
Dishes, cutlery and glasses are not dry.	The amount of rinse aid may be insufficient, or the rinse aid reservoir is almost empty.	Replenish the reservoir, adjust the rinse aid dispenser dial to a higher setting or change the brand of rinse aid.
	Crockery was taken out of the dishwasher too soon.	Leave the crockery in the dishwasher until you hear the audible sound.
White residue is visible on cutlery and crockery, clouding occurs on glassware; film can be wiped off.	Not enough rinse aid was used.	Replenish the reservoir, adjust the rinse aid dispenser dial to a higher setting or change the brand of rinse aid.
	There is not enough salt in the salt reservoir.	Fill the salt reservoir.
	The salt reservoir cap has not been screwed on correctly.	Ensure that it screws back on correctly.
	Unsuitable detergent has been used.	Change your detergent. Use a dishwasher standard powder detergent or tablet.
	The salt consumption setting is too low.	Select a higher salt consumption setting.
Glassware is dull and discoloured; film cannot be wiped off.	The glassware is not dishwasher proof. The surfaces are affected.	Wash the non-dishwasher proof glassware by hand instead.
Tea or lipstick stains have not been completely removed.	The wash temperature of the selected programme was too low.	Select a programme with a higher wash temperature.
	The bleaching effect of the detergent used is too low.	Change your detergent.
	Forgot to pre-rinse or remove the stains with napkin prior washing.	Pre-rinse or remove the stains with napkin prior washing.

specification

Dimension:	600 (W) x 580 (D) x 850 (H) (in mm)
Capacity:	12 Place Settings
Water Pressure Required:	0.04 - 1.00MPa
Power Consumption:	1930W
Rated Voltage:	230V/50Hz

Because we continually strive to improve our products we may change specifications and designs without prior notice.



IMPORTANT INFORMATION FOR CORRECT DISPOSAL OF THE PRODUCT IN ACCORDANCE WITH EC DIRECTIVE 2002/96/EC. At the end of its working life, the product must not be disposed of as urban waste.

It must be taken to a special local authority differentiated waste collection centre or to a dealer providing this service.

Disposing of a household appliance separately avoids possible negative consequences for the environment and health deriving from an inappropriate disposal and enables the constituent materials to be recovered to obtain significant savings in energy and resources. As a reminder of the need to dispose of household appliances separately, the product is marked with a crossed-out wheeled dustbin.



Visit Partmaster.co.uk today for the easiest way to buy electrical spares and accessories.

With over 1 million spares and accessories available we can deliver direct to your door the very next day.

Visit www.partmaster.co.uk

or call

0870 6001 338

(UK customers only)

Calls charged at National Rate.

NOTE: If you require a replacement for a replacement for any of the items listed below, please quote their corresponding part numbers:

Replacement Part	Part Number
safety supply hose	673-0009-00093
detergent measuring spoon (approx. 20g)	673-0022-00079
measuring cup (approx. 60ml)	673-0062-00004
U-shape hose holder	673-0062-00003
salt funnel	673-0022-00043
condensation strip	675-0013-00715
cutlery basket covers	673-0022-00025
instruction manual	675-0006-05676



DSG Retail Limited is responsible for after sales service.

If you have a query about the product please contact our product support line 0844 561 6263 (Currys) and 08700 118 117 (Pixmania).

DSG Retail · 200 The Campus · Marylands Avenue · Hemel Hempstead · Herts · HP2 7TG