

600 / 700 / 900mm Chimney Rangehood

This appliance has been produced in accordance with the relevant safety requirements.

Mis-use of this product may lead to personal injury and / or damage to property.

Please read these instructions carefully before using this appliance for the first time and keep them in a safe place for future reference.

Note: Consistent with our continuing product development policy, improvements may have been made which render the contents of this package slightly different to that shown.

Cat No. HDC62SS, HDC62BK, HDC72SS,
HDC72BK, HDC92SS, HDC92BK

May 2007

Premium Appliance Brands Ltd.

Cranage House
730 Mandarin Court
Centre Park
Warrington
WA1 1GG
United Kingdom
E-mail: info@pabl.co.uk
www.pabl.co.uk

Your 1 Year Guarantee

Your appliance carries a 1 year parts and labour warranty. To fulfil the conditions of your guarantee, the appliance must be correctly installed and operated, in accordance with the instructions, and only be used for normal domestic purposes.

Please note that the guarantee and service availability only apply to the United Kingdom.

Customer Service

In case of difficulty please call the Customer Service Helpline number.

0870 850 2234

- When calling customer service, please ensure you have the model and serial number to hand.
- Please keep your receipt or invoice in a safe place as they will be required as proof of date of purchase.

Premium Appliance Brands Limited, 730 Mandarin Court, Centre Park, Warrington, WA1 4GG

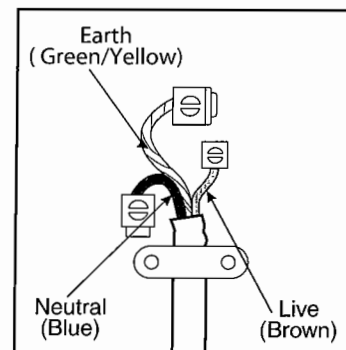
Connection to the Mains Supply

Before connecting the appliance to the mains supply, ensure that the voltage and frequency details on the product rating plate are consistent with the source of supply.

This product is not supplied with a plug and must be connected to a mains supply via a 3A BS approved fuse (recommended)

WARNING:
THIS APPLIANCE MUST BE EARTHED

The wires in the mains lead are coloured in accordance with the following code:
GREEN / YELLOW – EARTH
BLUE – NEUTRAL
BROWN – LIVE



As the colours of the wires in the mains lead of this appliance may not correspond with the coloured markings identifying the terminals in wall mount socket, proceed as follows:

- The **GREEN/YELLOW** wire is the **EARTH** and must be connected to the terminal which is marked with the letter 'E' or by the earth symbol \oplus or coloured **GREEN** or **GREEN/YELLOW**.
- The **BLUE** wire is the **NEUTRAL** and must be connected to the terminal which is marked with the letter 'N' or coloured **BLACK**.
- The **BROWN** wire is the **LIVE** wire and must be connected to the terminal which is marked with the letter 'L' or coloured **RED**.



Attach an adequate length of 150mm round duct (not supplied) to the air outlet adapter if you select the air extraction mode, and connect the duct to the vent (on wall or ceiling).

4. Connect the mains supply (See Connection to the Mains Supply).
5. Fix the chimney mounting bracket to the top Decorative Chimney piece with chimney bracket screw.
6. Carefully place the decorative chimney bottom into the recessed area of the hood body top.
7. Carefully slide the decorative chimney top up inside the decorative chimney bottom. Secure the chimney mounting bracket to the wall using (2) ST 5x50mm mounting screws and dry wall anchors and located on the wall.

Now the installation is complete.

Important Safeguards

When using electrical appliances, in order to reduce the risk of fire, basic safety precautions should always be followed, including:

For Your Safety

Read all instructions carefully, even if you feel that you are familiar with this appliance.

- This appliance is intended for use by adults.
- This appliance is not a toy and is not intended for use by children.
- The elderly or infirm should be adequately supervised when using this appliance.
- When using this appliance the lamps may become hot and remain hot for some time after switching off.
- Please remove all packaging prior to use and dispose or recycle accordingly.
- Packaging materials (eg; polystyrene and plastic items) must be kept out of reach of babies and young children at all times due to risk of suffocation.

Keep these instructions in a safe place for future reference

Installation

- Always adhere to the minimum safety distance between the top of the cooker / hob and the under-side of the cooker hood:
 - 650mm for electric hobs and cookers
 - 750mm for gas hobs and cookers
- For non PABL cooking appliances please ensure the hoods are fitted in accordance with the safety distances recommended by the manufacturer in their installation manuals.
- It is prohibited to fit a cooker hood over a solid fuel stove.
- All materials used in the fitment of this product must be non-flammable.
- This appliance must not be connected to a chimney or vent flue which is in use.
- Professional advice should be sought if ducting this appliance into a chimney or vent flue which is no longer in use.
- This appliance should not be connected to ducting which ventilates rooms with fireplaces.
- Attention should be given to ensure that any applicable regulations concerning discharge of exhaust air are fulfilled.
- This appliance should be installed and maintained by a suitably qualified and competent person in accordance with the relevant safety regulations.
- Before connecting the appliance to the mains supply, ensure that the voltage and frequency details on the rating plate are consistent with the source of supply.
- Always disconnect the appliance from the mains supply before any maintenance or repair work is carried out.

Operation (Extraction Mode Only)

- Care should be taken if operating the cooker hood at the same time, and in the same vicinity, as other heating appliances which depend on air for their operation. This may include such appliances as wood, oil, gas or coal-fired boilers and heaters, gas ovens, hobs and cookers, and continuous flow or other water heaters.
- The cooker hood, when used in extraction mode, will draw air from neighbouring rooms in addition to the room in which it is fitted.
- If there is insufficient air in these rooms, an under-pressure will occur and the heating appliance may be starved of oxygen and combustion may not occur.
- In addition, harmful gases from the heating appliance may be drawn from the chimney / ducting back into the room with potentially fatal consequences.
- To ensure safe operation, an under-pressure of 0.04mbar (4pa) is the maximum permissible in the room.
- Adequate ventilation can be maintained by:
 - The use of air inlets by means of windows, doors and external wall vents
 - Ensuring none of the ventilation openings are blocked
 - Using either the cooker hood or heating appliance in isolation
- It is advisable to use a window contact switch if relying on an open window as the sole source of ventilation. In this case, the cooker hood will not operate unless the window is opened sufficiently. These can be obtained from all good builders merchants.
- Any doubts or concerns should be raised with a suitably qualified and competent person or, in the case of a gas appliance, with a Corgi registered installer.

Disposal of Your Old Appliance

Before discarding your old appliance:

- Switch off and disconnect it from the power supply
- Cut off the plug
- Cut off the cable directly behind the appliance to prevent mis-use.

These steps should be carried out by a suitably qualified and competent person.

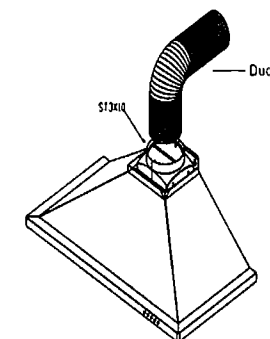
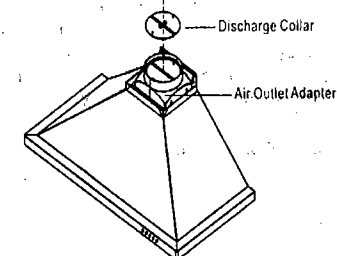
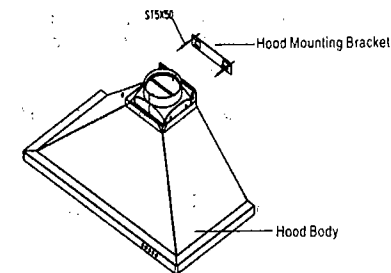
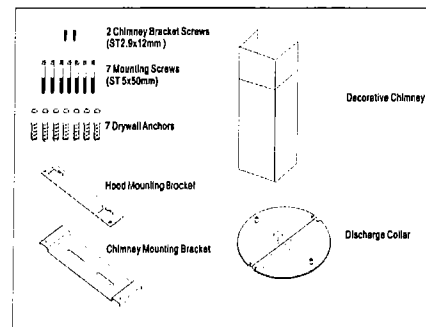
The manufacturer cannot be held liable for any damage caused due to non-compliance with these important safeguards.

Installation Instructions

Before installation, unpack hood and check contents.

You should receive:

- 1 Hood
- 1 Decorative Chimney (bottom and top)
- 1 Parts Bag
- 1 Hood Mounting Bracket
- 1 Chimney Mounting Bracket
- 1 Discharge Collar
- 2 Chimney Screws (ST2.9x12mm)
- 7 Mounting Screws (ST5x50mm)
- 7 Drywall Anchors
- 1 Installation Manual



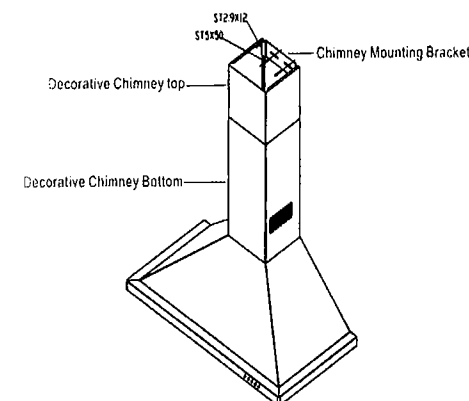
Installing the Hood

Note 1: On stainless steel hoods, carefully remove the plastic protective film from all exterior surfaces of the hood and chimney prior to final installation.

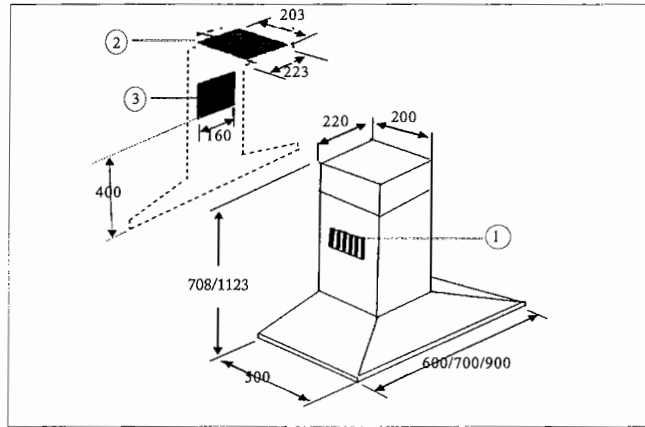
Note 2: At least two people will be required to mount the hood.

The cooker hoods should be placed at a distance of 650mm to 750mm between the top of the cooker hob and the bottom of the cooker hood (See Important Safeguards-Installation)

1. Secure the hood mounting bracket to the wall using (2) ST 5x50mm mounting screws and dry wall anchors. Align the hood body with the hood mounting bracket. Gently lower the hood until it securely engages the bracket.
2. After testing carefully on the horizontal degree, fasten the hood body with two screws at the rear of the body.
3. If using the hood in air extraction mode, fit the discharge collar (non-return flap) into the air outlet adapter (see diagram above).



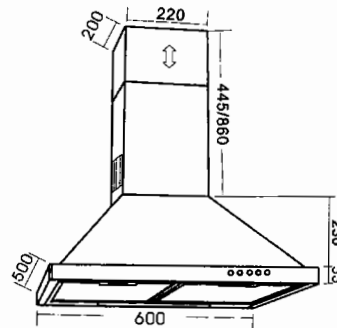
Appliance Dimensions



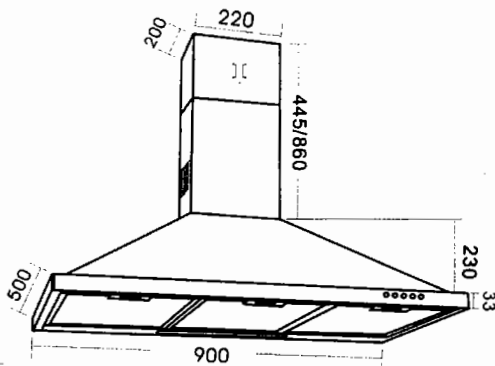
1 Ventilation grill position for recirculation.

2 and 3 are not required for recirculation mode cooker hoods. The shaded area represents the wall or ceiling area for the vent cut-out, and for fitting the connection socket.

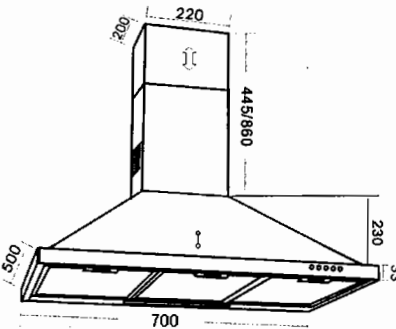
Connection for air extraction dia.
150mm with reducing collar.



HDC62SS/HDC62BK



HDC92SS/HDC92BK

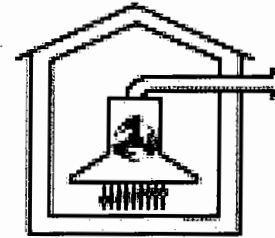


HDC72SS/HDC72BK

Modes of Operation

This cooker hood is designed to be installed for air extraction or air re-circulation. For air extraction, a ducting kit is required. For air re-circulation charcoal filters are required.

Air Extraction:



The air is drawn in and cleaned by the grease filters and directed outside.

If the on-site ventilation system does not have a non-return flap, the non-return flap supplied with the appliance must be fitted in the exhaust socket in the motor unit (see installation instructions).

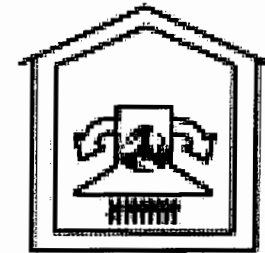
Having a non-return flap fitted to the ducting ensures that air, once ducted to the outside, cannot get back into the room again.

The flap is closed when the cooker hood is switched off.

When the cooker hood is switched on, the non-return flap opens for the cooking vapours to be ducted away.

Air Recirculation:

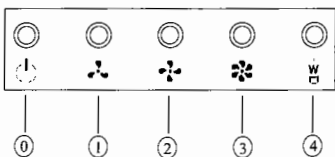
(available as an optional extra with a conversion kit and charcoal filter)



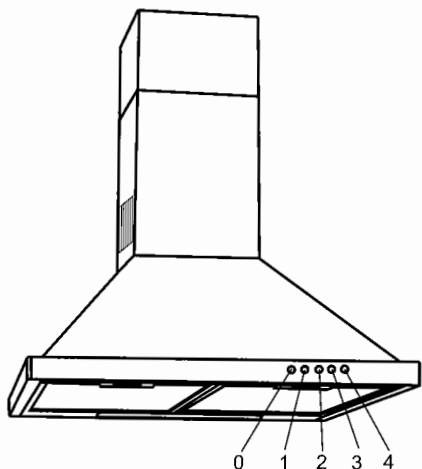
The air is drawn in and cleaned first by the grease filters and then by a charcoal filter. The cleaned air is then recirculated back into the kitchen through grilles in the top of the cooker hood extension piece.

Before using the cooker hood in recirculation mode, ensure that the charcoal filter is in place.

Key Features Explained



0	STOP
1	LOW SPEED
2	MEDIUM SPEED
3	HIGH SPEED
4	LIGHT BUTTON



To operate your cooking hood:

- To start the motor, press the button to select the required fan speed (low / mid / high).
- Press the light button to turn the light on, to switch off, press again.
- To switch the motor off, press the stop button.
- The fan should be allowed to run for a few minutes after cooking to allow any remaining odours to be neutralised.

Cleaning and Maintenance

Disconnect the cooker hood from the mains supply before any cleaning or maintenance work is carried out. Ensure that:

- The appliance is switched off at the wall and the plug is removed or,
- The fuse is removed from the fused spur connection unit or,
- The mains fuse is withdrawn.

Cleaning

- Stainless steel surfaces and controls are prone to scratches and abrasions.
- External surfaces and controls can be cleaned using a warm damp sponge or soft cloth with a little washing up liquid.
- Always use a well wrung out cloth for cleaning the controls as too much water can penetrate the electronics and may cause damage.
- Wipe the surfaces dry using a soft cloth.
- Never use aggressive / abrasive cleaners or solvents as these may damage the surface.

Aluminium Grease Filters

The re-usable aluminium filters supplied with this appliance should be cleaned every 3 – 4 weeks to avoid a build up of grease.

- To remove the grease filter, release the locking mechanism at the front of the filter, lower the filter slightly and unhook it at the back taking care to hold the filter securely at all times.
- To clean the filter, place it into a bowl of warm soapy water and soak for about 2 – 3 minutes
- Clean the mesh with a soft brush.
- Do not apply too much pressure as the mesh is delicate and will damage easily.
- Do not use a corrosive detergent.
- Whilst the filters are removed, clean off any residual grease from the housing unit to avoid the risk of fire.
- After cleaning, leave the filters to dry before replacing them on the appliance.
- When replacing the grease filters, ensure that the locking mechanism is facing down.

Fitting and Replacing the Active Carbon Filter

If the cooker hood is used in re-circulation mode, an activated charcoal filter must be inserted in addition to the aluminium grease filters. These charcoal filters are designed to absorb cooking odours and are located in the canopy above the grease filters.

Before fitting or replacing charcoal filters, the grease filters must first be removed (see previous section).

The charcoal filter is not washable and should be replaced when it no longer absorbs kitchen odours effectively. Under normal use, this would be approximately every 6 months or more frequently for particularly heavy usage.

Used charcoal filters can be disposed of with normal household waste.