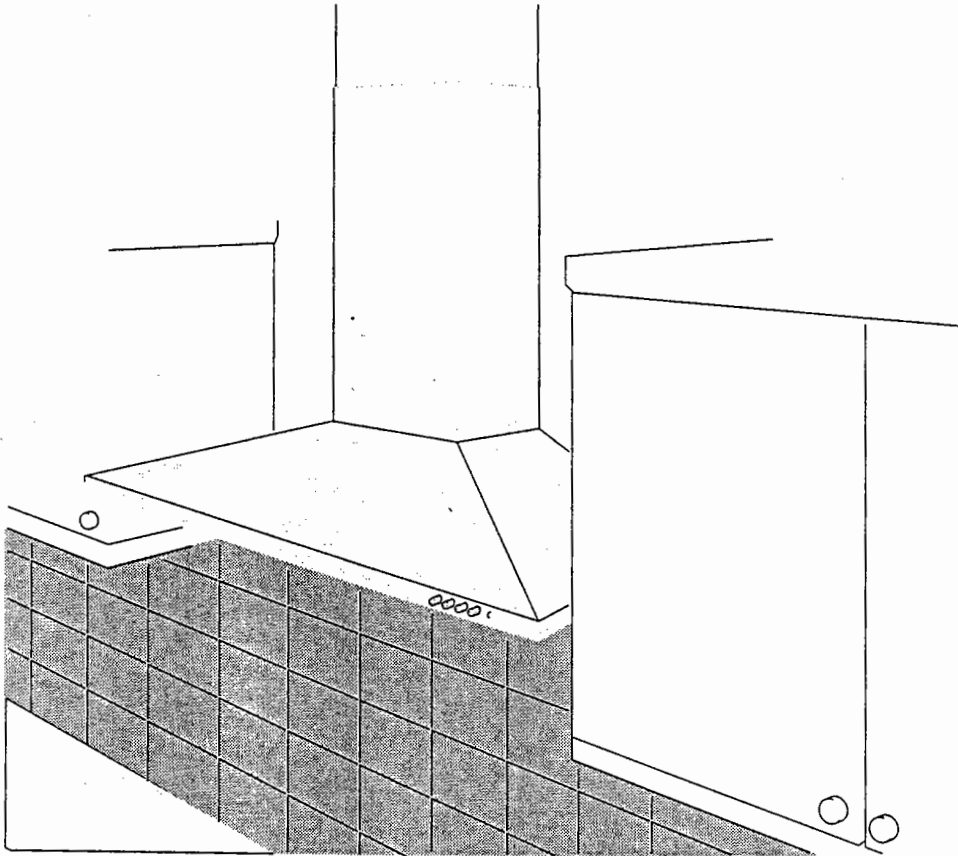


How to get the most from your Chimney Canopy Extractor



APP 2440

APP 2442

APP 2540

APP 2542

APP 2543

• **E X T R A C T O R** •

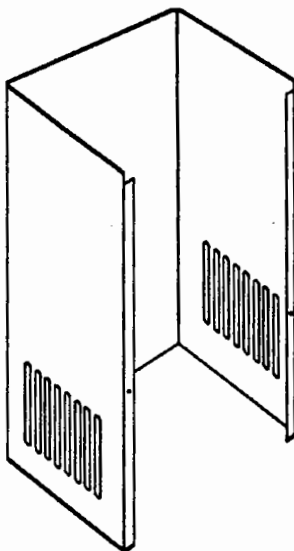
Contents

Page No.

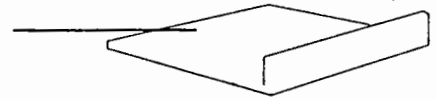
- 1** Contents
- 2 & 3** Part Identification & Installation
- 4 & 5** Decorative Chimney
- 6 & 7** Alternative Methods Of Extraction
- 8** Operating Your Extractor & Cleaning
- 9** Electrical Connections
- 10** Not Working Properly?
- 11** 12 Months Guarantee

Parts Identification

On opening your box you will find the extractor hood, a telescopic decorative chimney, a bag of fittings containing brackets and various screws, a ceiling fixing bracket, a deflector and, a wall fixing template drawing and a ducting connector.

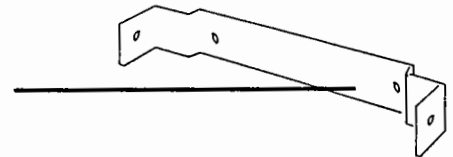


DEFLECTOR
(FOR RECIRCULATION ONLY)

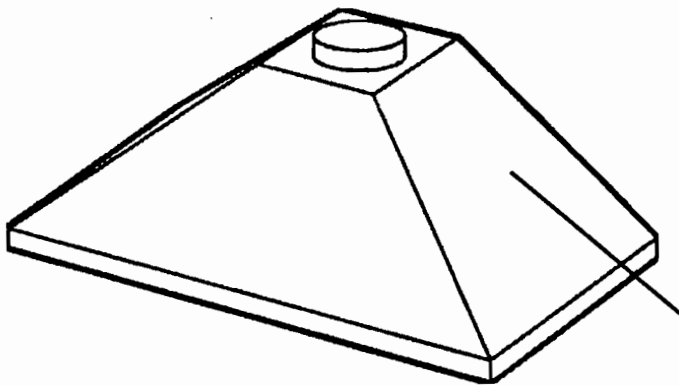
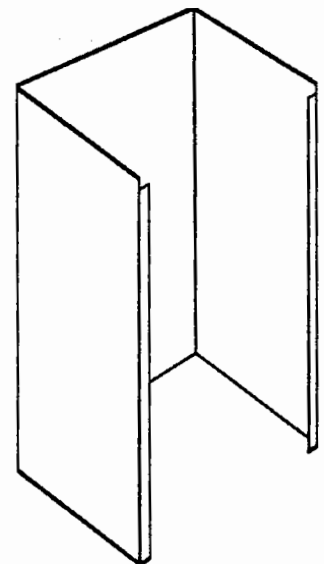


CHIMNEYBASE

CEILING BRACKET

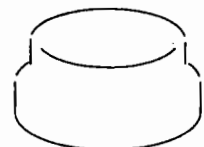


CHIMNEY TELESCOPIC TOP SECTION.



EXTRACTOR

You may find plastic ducting adaptors have been supplied with your extractor. These can be used on the extractor outlet and ducting connector.



● **Extraction Without Intrusion**

● **3**

The extractor is designed to give you the option to extract air by ducting to the outside and away (via an exterior wall), or to re-circulate air through charcoal filters to minimize odours, steam and condensation.

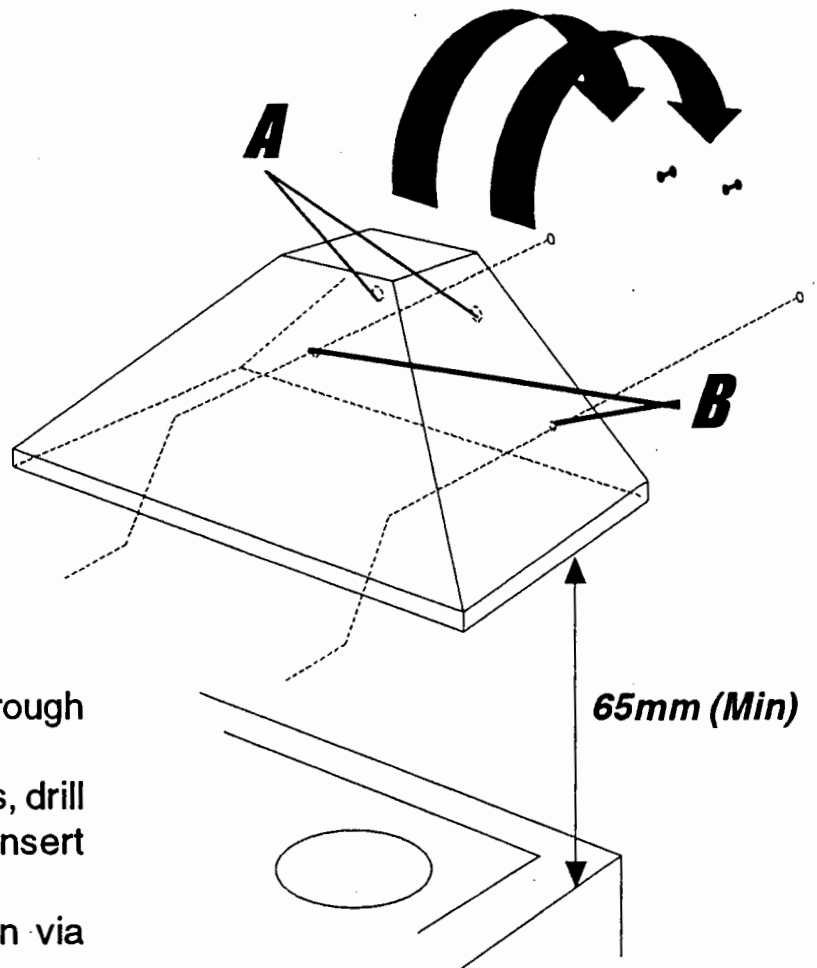
The choice is yours to decide at installation, and both systems are explained in this booklet.

We recommend that you read this booklet from cover to cover before attempting to install or operate the extractor.

● **Installation**

THIS INSTRUCTION MUST BE STRICTLY ADHERED TO. FAILURE TO COMPLY COULD RESULT IN OVERHEATING AND SERIOUS DAMAGE TO YOUR APPLIANCE.

When installing your extractor above a heat source, i.e., any electrical or gas hob, grill, cooker etc., the fixing height must **NOT BE LESS THAN 65cm** between the hob and the bottom of the extractor.



Position the extractor and mark through onto the fixing wall via holes A.

Using the appropriate wall fixings, drill the two marked positions and insert screws.

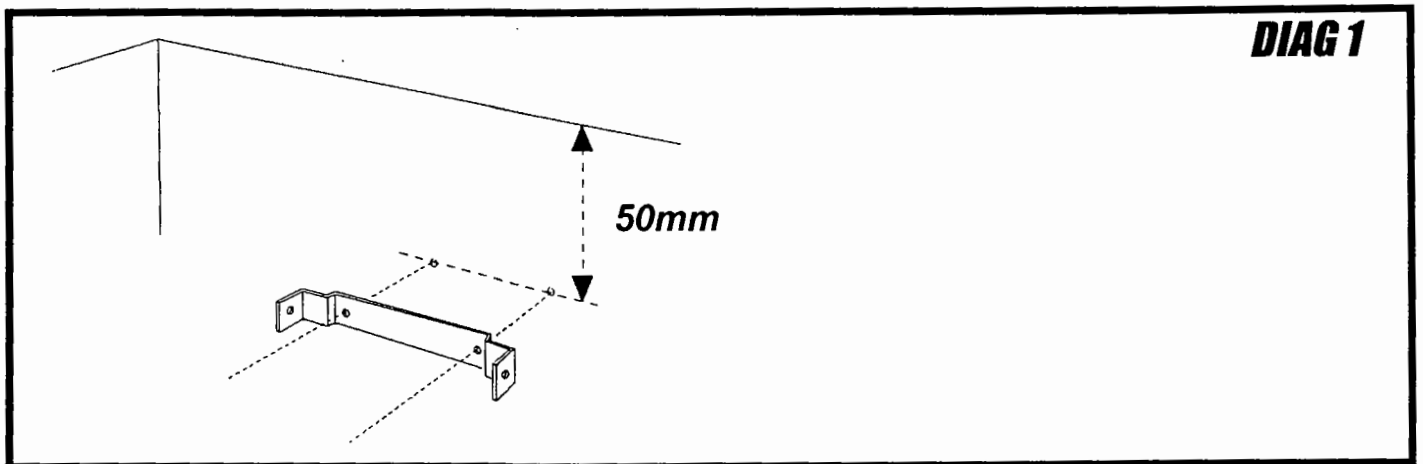
Place the extractor into position via these fixings.

Two further holes (B) are provided in the rear of the extractor for fixing. When the extractor is in the correct position, mark through these holes and drill the surface to which the extractor is to be fitted. Use appropriate fixings for the type of wall. You may need to purchase the correct fixings if the ones supplied are not adequate, if in doubt, consult an expert.

NOTE: Adaptors are provided to connect a 125mm vent hose to the outlet of the extractor and to the top vent ducting connector.

Whether you are planning to duct externally or recirculate you will need a purpose designed ducting kit which is available from where you purchased your extractor, in both cases you will need to fix the ceiling bracket.

Once your extractor is in position on the wall, the bracket needs to be positioned directly above the extractor outlet on the ceiling or other appropriate surface. Use a spirit level and a straight edge to ensure it is square to the extractor.

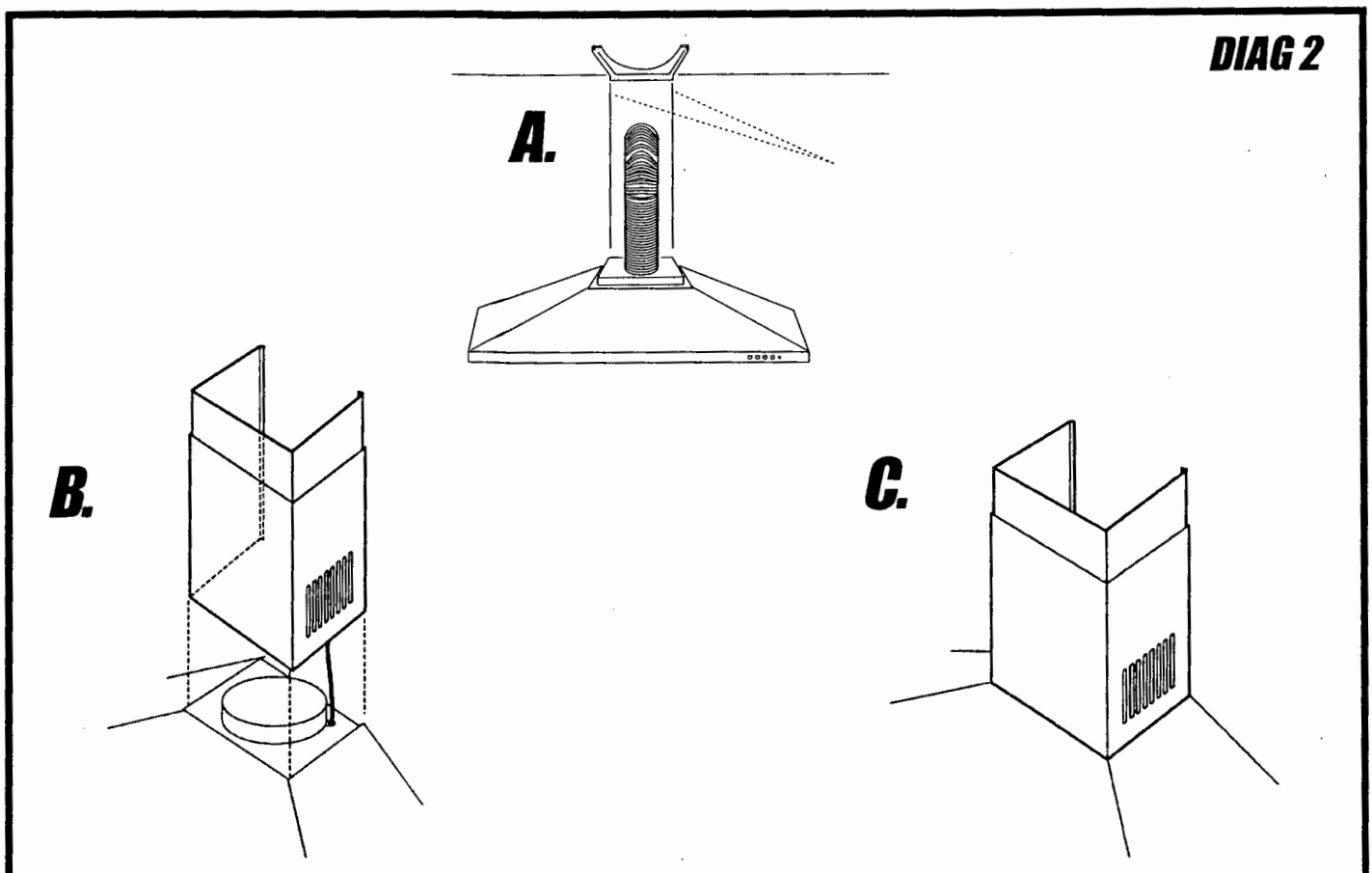


EXTERNAL EXTRACTION STAGES OF FITTING/ REF. DIAG 2

2A) Extractor in position, ceiling bracket in place and ducting work completed.

2B) Fit the chimney parts together.

2C) Fit the chimney in position and secure top section into the ceiling bracket.

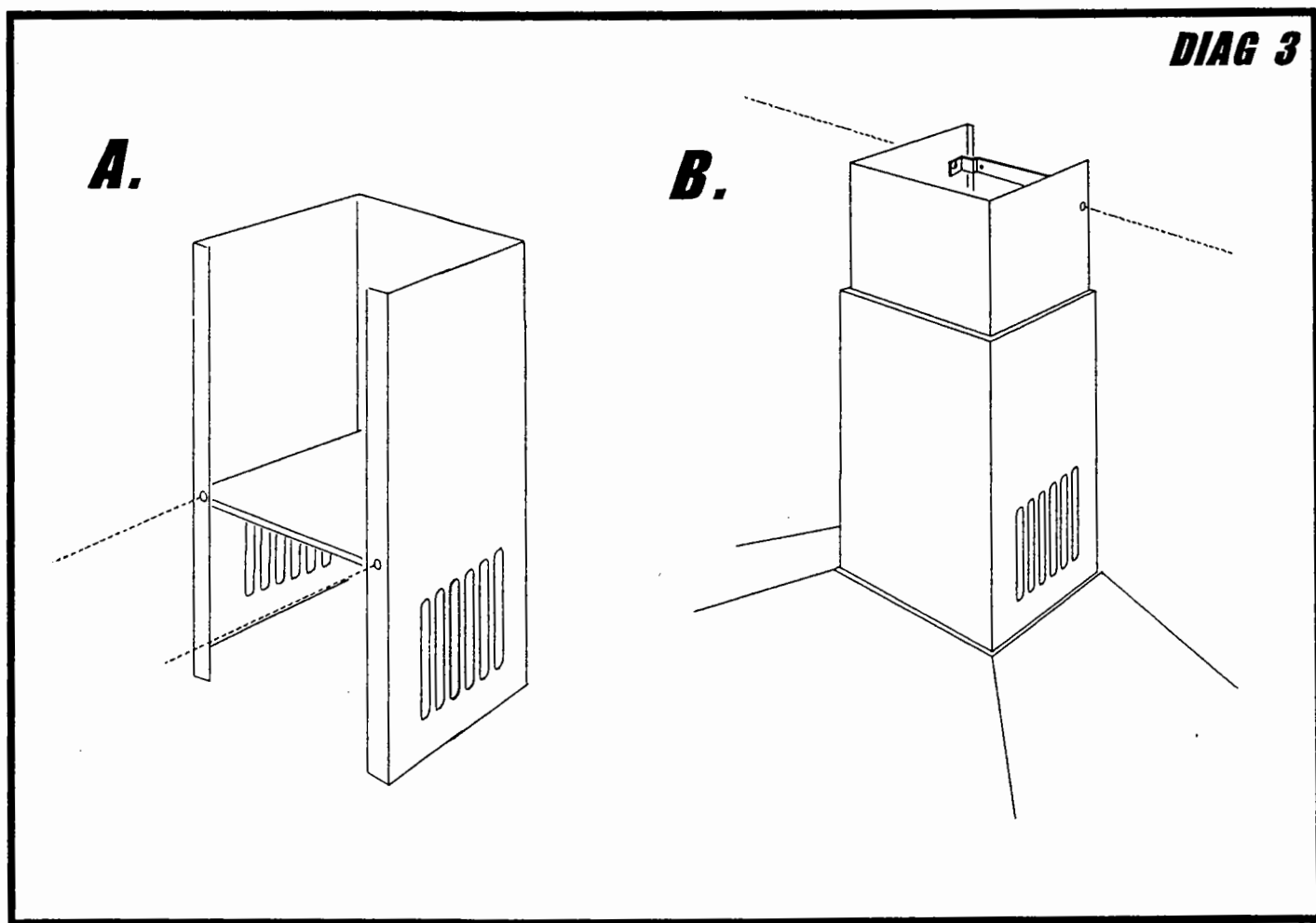


RECIRCULATION STAGES OF FITTING/ REF. DIAG 3

2A) Slide deflector down into the bottom section of chimney, as shown. Secure using screws supplied.

2B) Fit the chimney parts together. NOTE: The air vents will be at the bottom of the chimney.

Secure top section into the ceiling bracket and secure the bottom section onto the extractor via the four fixing holes. Access to the four fixing holes is via the two clips.



● ***Electrical Connection***

Due to the mains cable being situated inside the chimney of the extractor we strongly recommend that a spur outlet point is fitted within the chimney but controlled from a separate switch situated outside this area. (See Electrical Connections).

Any cables connecting the switch to the outlet point must be protected from any heat source or mechanical damage and it is preferred that it is sunk into the wall.