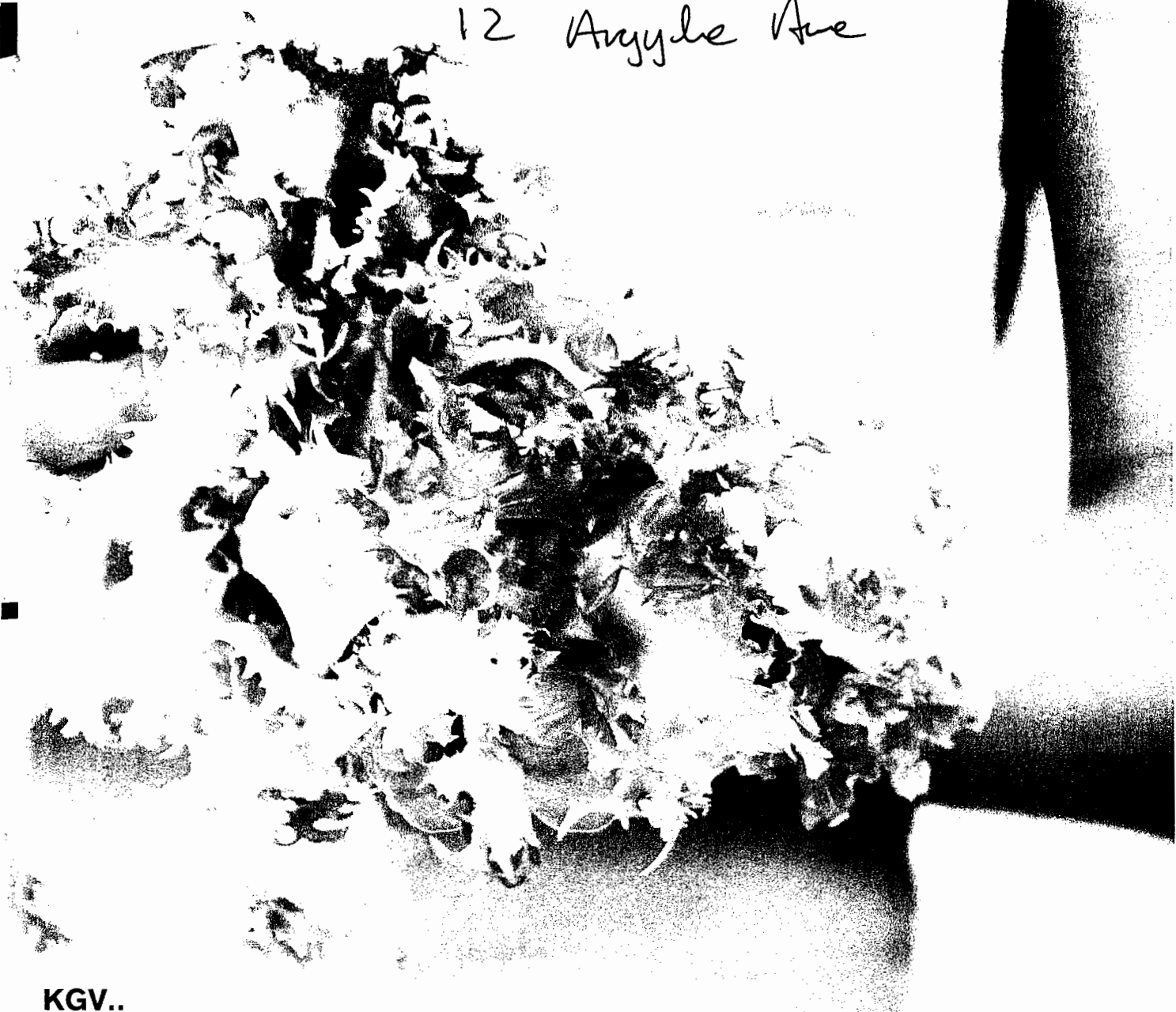
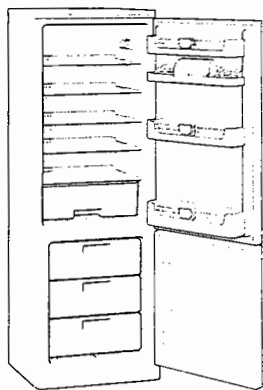


12 Anykle Ave



KGV..



de Gebrauchsanleitung  
en Instruction for Use  
fr Mode d'emploi  
it Istruzioni per l'uso  
nl Gebruiksaanwijzing  
es Instrucciones de uso



Household Appliances

Internet: <http://www.bosch-hausgeraete.de>

Bosch Info-Team: DE Tel. 01 80/5 30 40 50 (€ 0,12/Min. DTAG)

MODEL N° KGV 354 23

9000 001 886 (8401)

**BOSCH**

## Instructions on appliance disposal

### Disposal of your old appliance

When replacing your old appliance with a new one, please comply with the following:

Old appliances are not worthless rubbish. Valuable raw materials can be reclaimed by recycling old appliances.

Render your old appliance unusable:

1. Pull out the mains plug,
2. Cut off the power cord and discard with mains plug,
3. **To prevent children from locking themselves in the refrigerator and suffocating, REMOVE THE LOCK.**

Professional disposal is required for refrigerants in refrigeration appliances and gases contained in the insulation. Ensure that refrigeration tubing and coils are not damaged or punctured prior to their proper disposal.

### Disposal of packaging

**Warning:**

**Keep children away from the shipping carton and packaging components. Danger of suffocation from folding cartons and plastic film.**

You received your new appliance in a protective shipping carton. All packaging materials are environmentally friendly and recyclable. Please contribute to a better environment by disposing of packaging materials in an environmentally-friendly manner.

Please ask your dealer or inquire at your local authority about current means of disposal.

## Safety information

### Before switching on the appliance

Please read the operating and installation instructions carefully. They contain important information on how to install, use and maintain the appliance.

The manufacturer is not liable if you fail to comply with the instructions and warnings in the operating manual. Please retain these operating and installation instructions as they may be required by a subsequent appliance user.

### Installing and connecting the appliance



**Warning!**

The appliance contains a small quantity of the environmentally-friendly but flammable refrigerant R600a. Ensure that the refrigeration tubing is not damaged during transportation and installation. Leaking refrigerant may cause eye injuries or ignite.

If refrigerant is leaking out:

- Avoid naked flames and ignition sources near the leakage.
- Unplug the appliance and ventilate the room for several minutes.

The more refrigerant in an appliance, the larger the room must be in which the appliance is situated. If a leak occurs in a room which is too small, a flammable gas-air mixture may occur.

The room must be at least 1 m<sup>3</sup> per 8 g of refrigerant. The amount of refrigerant in your appliance is indicated on the rating plate inside the appliance.

### In an emergency

- Wash eyes and call a doctor.
- Keep ignition sparks and naked flames away from the appliance.
- Pull out the mains plug and ventilate the room thoroughly for several minutes.

## Using the appliance

- In the following cases remove the mains plug or switch OFF the fuse:

- Defrosting
- Cleaning

Do NOT pull out the plug by tugging the mains cable.

- Repairs may only be performed by qualified customer-service technicians. Improper repairs may put the user in considerable danger.
- NEVER use electrical appliances inside the appliance (e.g. heater, ice-cream maker, etc).
- Do NOT stand or support yourself on the base, drawers or doors, etc.
- Bottles which contain a high percentage of alcohol must be sealed and placed vertically in the refrigerator.
- NEVER store products which contain flammable propellant gases (e.g. aerosols) or explosive substances in the appliance – **Explosion hazard!**
- Do NOT allow children to play with the appliance.
- If the appliance features a lock, keep the key out of the reach of children!

- NEVER use a steam cleaner to defrost or clean the appliance. Steam may come into contact with live components in the appliance and cause a short-circuit or an electric shock.
- Do NOT allow oil or fat to come into contact with the plastic components or door seal, otherwise the plastic parts and door seal could become porous.
- Do not store bottled or canned drinks (especially carbonated drinks) in the freezer compartment. Bottles and cans will explode.
- Do not put an ice lolly or ice cube directly from the freezer compartment into your mouth. **Risk of burns** from very low temperatures!
- Never touch frozen food with wet hands. Your hands could freeze to the food!
- Do not scrape off hoarfrost or stuck frozen food with a knife or pointed object. You could damage the refrigerant tubing. Leaking refrigerant may ignite or cause eye injuries.

## General requirements

The appliance is suitable

- for refrigerating and freezing food,
- for making ice.

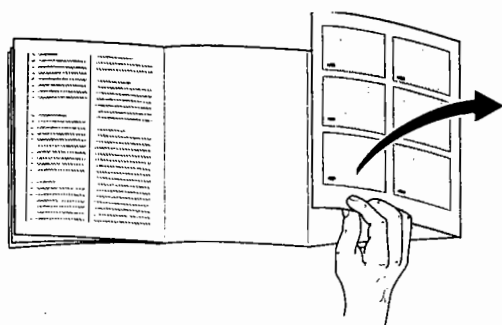
The appliance is designed for domestic use.

The appliance has been interference-suppressed in compliance with EU Directive 89/336/EEC.

The refrigerant circuit has been tested for leaks.

This product complies with the relevant safety regulations for electrical appliances (EXI 60335/2/24).

## Your new appliance



Certain details, in particular appliance features, may vary depending on the appliance model.

Fig. 1

A Refrigerator compartment

B Freezer compartment

1-3 Fascia

4 Rear panel of the refrigerator compartment (refrigerating unit)

5 Interior light

6 Shelf

7 Vegetable container

8 Storage compartment

9 Butter and cheese compartment

10\* Egg rack

11 Bottle storage compartment

12\* Freezer tray with ice blocks

13\* Frozen-food calendar

14 Freezer drawer

15 Condensation outlet

\* (not all models)

## Fascia

Fig. 2

### 1 On/Off-button

The appliance is switched on when one of the temperature display lamps flashes or is lit, Fig. 2/3a or 3b.

### 2 Refrigerator compartment temperature selection button

The refrigerator compartment temperature can be set from +8 °C to +2 °C in 2 °C steps.

Hold down the button or press until "super" is lit on the desired temperature display lamp, Fig. 2/3a or 3b.

The freezer compartment temperature cannot be set separately.

Lower temperatures in the refrigerator compartment also cause lower temperatures in the freezer compartment.

### 3a Temperature display lamps

The figures next to the temperature display lamps indicate refrigerator compartment temperatures in °C. The lit lamp indicates the selected temperature.

The lamp flashes if the selected temperature has still not been reached.

### 3b Temperature display lamp "super" (fast cooling)

When the light is on, super cooling has started. Super cooling cools the refrigerator compartment as cold as possible for approx. 6 hours. Then the previously selected temperature is automatically restored.

Switch on super cooling, e.g.:

- before placing large quantities of fresh food in the appliance.
- to cool drinks quickly.

#### 4 **super” On/Off button** (Fast freezing)

When **the button is illuminated**, fast freezing has started. Fast freezing is used to freeze large quantities of fresh food and, depending on the quantity, must be switched on up to 24 hours before the food is placed in the freezer compartment. In general, 2–3 hours is adequate. If the max. freezing capacity is used, 24 hours are required. "Fast freeze" cools the freezer compartment as cold as possible for 2½ days. The freezer compartment drops to a very low temperature. Then the temperature selected prior to fast freezing is automatically restored.

#### **Note:**

"Fast freeze" may also slightly increase refrigeration of the refrigerator compartment.

#### **Note:**

At ambient temperatures below 20 °C and during "fast freezing" the interior light may glow at a reduced luminosity when the door is almost closed (or light switch pressed). This is quite normal and can be ignored.

## Ventilation

### Fig. 3

The air at the back of the appliance will heat up. This warm air must be allowed to freely escape, otherwise the refrigerating machine must perform more. This raises electricity consumption. Hence, the air-inlet and outlet apertures should never be covered or blocked off!

## Connecting the appliance

After installing the appliance, you should wait at least ½ hour before switching on the appliance. While the appliance is being transported, the oil in the compressor may leak into the refrigeration system.

Clean the interior of the appliance before using for the first time (see "Cleaning").

The mains socket should be easily accessible. Connect the appliance to a 220–240 V/50 Hz AC mains supply at a correctly installed socket. The socket must be equipped with a fuse protection rated 10 A or higher.

**If the appliance is to be operated in a non-European country, check that the voltage and current type indicated on the rating plate correspond with the specifications of your power supply. The rating plate is situated in the bottom left-hand side of the appliance. The mains connection cable may be replaced by an electrician only.**

### **⚠ Warning!**

**The appliance may not, under any circumstances, be connected to electronic energy-saving plugs (e.g. Ecoboy; Sava Plug) and to power inverters which convert direct current to 230 V alternating current (e.g. solar energy systems, power networks on ships).**

## Switching on the appliance

Press button **Fig. 2/1**. Temperature lamp blinks +4 °C. The appliance starts to cool, the interior light is switched on when the door is opened.

## Selecting the temperature

The refrigerator compartment temperature is set in the factory to +4 °C.

The set values can be changed, see description of the control panel: 2 Temperature adjustment button.

We recommend a setting of +4 °C.

Perishable food should not be stored warmer than +4 °C.

## Operating tips

- The sides of the housing are sometimes heated slightly. This prevents condensation in the area of the door seal.
- While the refrigerating unit is running, beads of water or frost form on the rear of the refrigerator compartment. It is not necessary to scrape off the frost or wipe off the beads of water. The rear panel defrosts automatically. The condensation is conveyed down the drainage channel, **Fig. 11/A**, to the refrigerating unit where it evaporates.
- If the air humidity is high, condensation may form in the refrigerator compartment, especially on the glass shelves. If this is the case, pack or wrap the food and select a lower temperature in the refrigerator compartment.

- If you cannot open the freezer compartment door immediately after closing it, wait 2–3 minutes until the partial vacuum has equalised.
- The refrigeration system may cause several areas of the freezer shelves to frost quickly. This does not affect function or power consumption. The appliance does not require defrosting until the entire surface of the freezer shelf is covered with more than 5 mm of frost or ice.

## Switching off the appliance

Press button **Fig. 2/1**. Temperature display lamp **Fig. 2/3a** goes out. The cooling process and the lighting are thereby switched off.

## Disconnecting the appliance

If the appliance is not to be used for a prolonged period:

1. Pull out the mains plug
2. Cleaning the appliance
3. Leave the appliance door open.

## Rearranging the interior

If required, the interior shelves and the door containers can be repositioned: pull the shelf forwards, lower and swivel out sideways **Fig. 4**. Lift the container and remove **Fig. 5**.

## Usable capacity:

According to the current standard the usable capacity **excluding interior features** is:

For the whole appliance:

KGV 26../KG26V..	186 l
KGV 31../KG31V..	186 l
KGV 32../KG32V..	182 l
KGV 35../KG35V..	232 l

Freezer compartment:

KGV 26../KG26V..	54 l
KGV 31../KG31V..	91 l
KGV 32../KG32V..	121 l
KGV 35../KG35V..	91 l

The usable capacity **including interior features** is:

For the whole appliance:

KGV 26../KG26V..	172 l
KGV 31../KG31V..	172 l
KGV 32../KG32V..	168 l
KGV 35../KG35V..	217 l

Freezer compartment:

KGV 26../KG26V..	48 l
KGV 31../KG31V..	78 l
KGV 32../KG32V..	99 l
KGV 35../KG35V..	78 l

## Special features

(not all models)

### Vegetable container with temperature and humidity regulator

Fig. 6/A

For long-term storage:

Regulator to left, ventilation is open, temperature and air humidity drop.

For short-term storage:

Regulator to right, ventilation is closed, temperature and air humidity rise.

### Partition in the vegetable container

Fig. 6/B

If the partition is not required, lift the partition and slide all the way to the right onto the wall of the vegetable container.

### Drawer for sausage and cheese

Fig. 7

The drawer can be removed for adding and removing food. Lift the drawer and pull out. The drawer holder can be adjusted.

### Bottle holder

Fig. 8

The bottle holder prevents bottles from falling over when the door is opened and closed.

### Bottle shelf

Fig. 9

Bottles can be stored securely on the bottle shelf. The holder can be adjusted.

## Storing of food

### Take note of the cold zones in the refrigerating zone!

Due to the air circulation in the refrigerating zone, zones with different temperatures are produced:

#### • Coldest zones

are on the rear walls and are found, according to model, between the printed side arrows and the glass shelf below

Fig. 12/A or between both arrows Fig. 12/B.

Note: Store the most sensitive foods in the coldest zones (e.g. fish, sausage, meat).

- **Warmest zone**

is near the door at the top.

Note: Store the following in the warmest zone, e.g. cheese and butter. When serving, the cheese keeps its aroma and the butter remains spreadable.

## When storing the food, note

that food is well wrapped or covered over. In this way, the aroma, colour and freshness remain. Apart from which, the transfer of taste and drying of plastic parts is avoided.

## Store in the following manner:

- **On the storage shelves** in the refrigeration zone (from top to bottom): bread, ready made foods, milk produce, meat and sausage
- **In the vegetable container:** vegetables, salad and fruit
- In the **door** (from top to bottom): butter, cheese, eggs, tubes, small bottles, large bottles, milk, fruit juice containers.

---

## Freezing and storing frozen food

### Buying frozen food

The packaging must not be damaged.

Note the sell-by date.

The temperature in the supermarket freezer should be  $-18^{\circ}\text{C}$  or lower.

Transport the frozen food in an insulating bag, where possible and put it quickly into the freezer compartment.

---

## Freezing food

### Freezing capacity: (on the wire shelves).

KGV 26../KG26V..	4 kg/24 h
KGV 31../KG31V..	6 kg/24 h
KGV 32../KG32V..	6 kg/24 h
KGV 35../KG35V..	6 kg/24 h
KGV 70..	6 kg/24 h

Food should be frozen solid as quickly as possible. To retain vitamins, nutritional value, appearance and flavour, do not exceed max. freezing capacity. If freezing food in the freezer drawers, the max. freezing capacity is reduced slightly. Use the lowest tray only to store frozen food.

### Freezing fresh food

Several hours before placing fresh food in the freezer compartment, switch on "fast freeze".

When freezing, use only food which is fresh and unblemished. Use airtight packaging so that you don't lose any taste or allow the food to become too dry.

### How to package food properly:

1. Place the food in the wrapping.
2. Squeeze out all air.
3. Seal the wrapping well.
4. Write on the package the contents and the date of freezing.

### The following are not suitable for use as packaging:

wrapping paper, greaseproof paper, cellophane, refuse bags, used shopping bags.



### The following are suitable for packaging:

plastic film, polythene tube-film, aluminium foil and freezer tins  
These products can be bought at a specialist outlet.

### Suitable for sealing are:

elastic bands, plastic clips, string, cold-resistant tape or such like.  
Bags and tube-film of polythene may be sealed with a film sealer.

## Storing frozen food

- To ensure good air circulation in the appliance, push in the freezer drawers all the way.
- If large quantities of food are to be stored in the freezer, all the freezer drawers (except the bottom one) can be taken out of the appliance and the food stored directly on the freezer shelves. To remove a freezer drawer, pull out all the way, lift at the front and remove.

## Storage duration

To retain the quality of the frozen food, do not exceed the permitted storage duration at  $-18^{\circ}\text{C}$ .

<b>Fish, cold meats, ready meals, cakes and pastries</b>	Up to 6 months
<b>Cheese, poultry, meat</b>	Up to 8 months
<b>Vegetables, fruit</b>	Up to 12 months

## Frozen-food calendar

### Fig 14

(not all models)

To avoid the quality of the frozen food being diminished, it is important that the allowable storage duration is not exceeded. The storage duration depends on the type of the frozen food. The values next to the symbols represent the permissible storage duration for the respective frozen food in months. In the case of oven-ready frozen meals which are available in stores, the production date or the "Best Before" date should be observed.

## Ice block

### Fig. 15/A

(not all models)

The ice block slows down the thawing process of the frozen food in the event of a power failure or malfunction. Place the ice block directly on the food in the top compartment.

## Making ice

### Warning

Do NOT use an electric ice-cream maker in the freezer compartment.

### Making ice cubes

Ice-cube trays are available from specialist outlets.

Fill ice-cube tray  $\frac{3}{4}$  full of water and place in the freezer compartment. To loosen the ice cubes, hold ice-cube tray under running water or twist it slightly.

## Defrosting frozen produce

Depending on the type of food and intended use, frozen produce can be defrosted:

- At room temperature,
- In a refrigerator,
- In an electric oven, with/without fan assisted hot-air,
- In a microwave

### Note

Do NOT refreeze food which is beginning to defrost or which has already defrosted. Only food which is subsequently prepared (cooked or fried) may be refrozen.

No longer store the frozen produce for the max. storage period.

## Thawing and cleaning the appliance

Clean the refrigerator compartment once a month. The freezer compartment should be cleaned whenever the appliance is defrosted.

### Risk of electric shock

NEVER use a steam cleaner. If live components come into contact with condensing steam, they may short-circuit or cause an electric shock.

Do not remove hoarfrost with a knife or pointed implement.

Do not damage the refrigeration tubing. Leaking refrigerant may cause eye injuries and is flammable.

Do NOT place any electric appliances or naked flames in the appliance.

## Defrost the freezer compartment

- Store the freezer drawers and the food in a cool location. Place an ice block (if enclosed) on the food.
- Pull out the mains plug.
- **Typ A Fig. 16/A**  
Place the empty freezer tray on the bottom shelf to catch the melting ice.

### **Typ B Fig. 16/B**

Empty the bottom freezer drawer, place under the condensation outlet and fold out the condensation drainage channel to collect the water.

- When the appliance has been defrosted, empty the water which has collected in the freezer drawer. Mop up any water in the bottom of the freezer compartment with a sponge.

### Defrosting sprays

Follow the manufacturer's instructions.

### Warning

Defrosting sprays may form explosive gases and/or contain solvents or propellants which corrode plastic and/or may be a health hazard.

### Defrosting aid

- Place a pan of hot water on a base in the freezer compartment.

## Cleaning the appliance

- Pull out the mains plug.
- Clean with water and a little detergent.
- Re-insert the mains plug and/or reset the fuse.

Clean the door seal with water only and dry thoroughly.

Water used for cleaning must not drip onto the fascia or light, or run through the drain hole into the evaporation pan.

Do NOT use abrasive or acidic cleaning agents or solvents.

The shelves and containers are not dishwasher-proof; they could warp.

## Important care information for stainless steel appliances

Use "Chromol" cleaning agent for cleaning stainless steel surfaces.

This cleaning agent is available on the market under the name "Chromol" or from your customer service under

**ident-no. 310359** as a 500 ml spray can or under

**ident-no. 166787** as a 50 ml trial can.

To prevent damage to the surfaces, under no circumstances use abrasive sponges, metal brushes, sharp-edged implements or scouring agents. Chemically aggressive cleaning agents, such as defrosting sprays, oven sprays, solvents or stain removers must not be used either.

The stainless steel surface should be cleaned in the direction of the grain.

## Tips for saving energy

- Install the appliance in a dry, well ventilated room, but not in direct sunlight and not near a heat source (e.g. radiator, cooker, etc.). If required, use an insulating plate.
- Allow warm food and drinks to cool down before placing in the appliance!
- Open and close the door as briefly as possible.
- A layer of hoarfrost in the freezer compartment will impair refrigeration of the frozen food and increase power consumption. Defrost the appliance regularly.
- Occasionally clean the rear of the appliance with a vacuum cleaner or paint brush to prevent an increased power consumption.

## Operating noises

### Completely normal noises

**Humming noise** – refrigerating unit is running.

**Bubbling, whirring or gurgling noises** – refrigerant is flowing through the refrigeration tubing.

**Clicking noise** – motor is switching on or off.

## Noises which can easily be eliminated

### The appliance is not standing level

Please use a spirit-level to ensure that the appliance is standing level. Adjust the threaded feet or place something underneath to bring the appliance level.

### The appliance is crowded

Please leave clearance between the appliance and surrounding furniture or appliances.

**Drawers, baskets or storage surfaces are unsteady or stick.**

Please check that the removable parts are correctly in position and reinsert if necessary.

### The containers are touching

Place the bottles or containers a little apart.

## Eliminating minor faults yourself

### Before you call customer service:

Please check whether you can eliminate the fault yourself based on the following information.

Customer service will charge you for advice, even if the appliance is still under guarantee!

Fault	Possible cause	Remedial action
Interior light does not function; the refrigerating unit is running.	The bulb is defective.	Replace bulb 1. Pull out the mains plug or disconnect the fuse. 2. Slide cover grille forwards and remove <b>Fig. 17/A</b> . 3. Change the bulb (Replacement bulb, 220–240 V a.c., E14 bulb holder, see defective bulb for wattage).
	Light switch is sticking. <b>Fig. 17/B</b>	Check whether it can be moved.
Floor of the refrigerator compartment is wet.	The condensation outlet is blocked. <b>Fig. 11</b>	Clean the condensation channel and outlet <b>Fig. 11</b> , (see Cleaning the appliance).

Fault	Possible cause	Remedial action
The temperature in the refrigerator compartment is too cold.	Temperature has been set too low. If large quantities of fresh food are being frozen, the temperature in the refrigerator compartment drops temporarily, as the refrigerating unit runs for a long time.	Increase the temperature. Do not exceed max. freezing capacity.
“super” display flashes; Temperature in the refrigerator compartment is too high.	When the appliance is switched on.  The display may flash without any risk to the frozen food: <ul style="list-style-type: none"> <li>• if the appliance door is opened frequently.</li> <li>• Large quantities of food have been placed in the freezer compartment.</li> </ul>	When the set temperature has been reached, the “super” display stops flashing.
The refrigerating unit is switching on more frequently and for longer.	Large quantities of fresh food are being frozen.  The ventilation openings have been covered.	Do not exceed max. freezing capacity. Remove obstacles.
Refrigerator has no cooling capacity.	On/Off button has not been switched on.  Power failure; the fuse has been switched off; the mains plug has not been inserted properly.	Press the On/Off button.  Check whether the power is on, check the fuses.
The interior light glows at a reduced luminosity when the door is almost closed (or light switch depressed).	Ambient temperature is below 20 °C or fast freeze has been switched on. Not a fault!	The interior light goes out again at ambient temperatures above 20 °C or after fast freeze has been switched off.

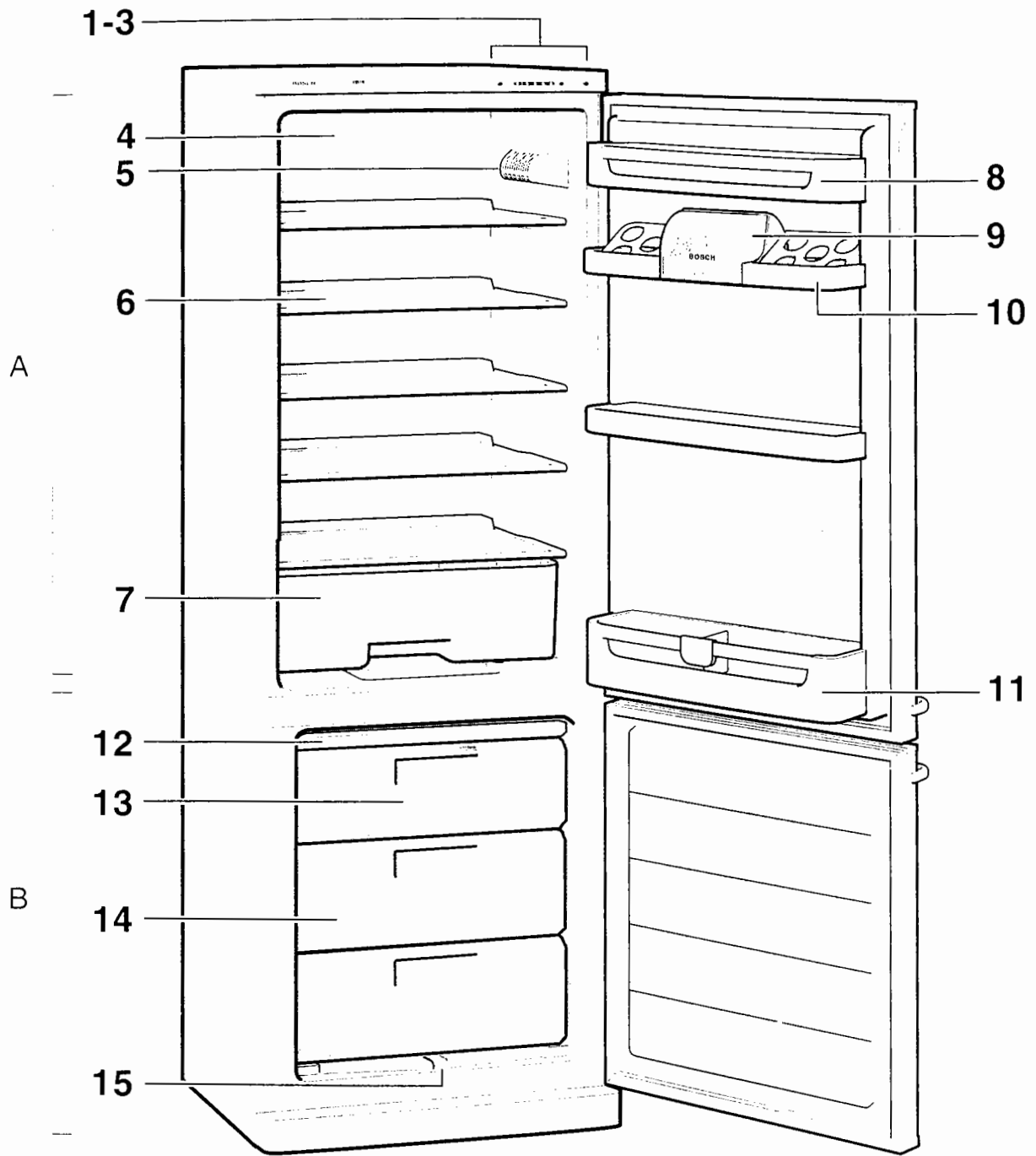
## Customer service

Please check your telephone book or the customer-service list for your nearest customer-service facility. When contacting customer service, please ALWAYS quote the product number

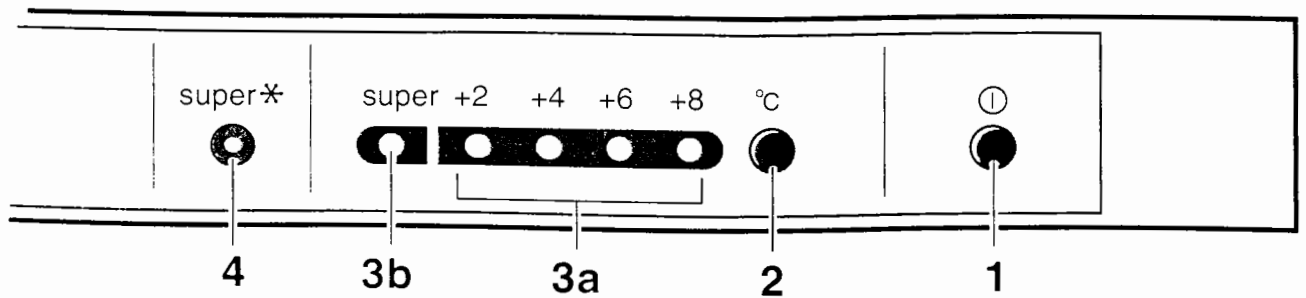
(E-number) and production number (FD-number) of your appliance.

These numbers can be found on the rating plate. **Fig. 18**

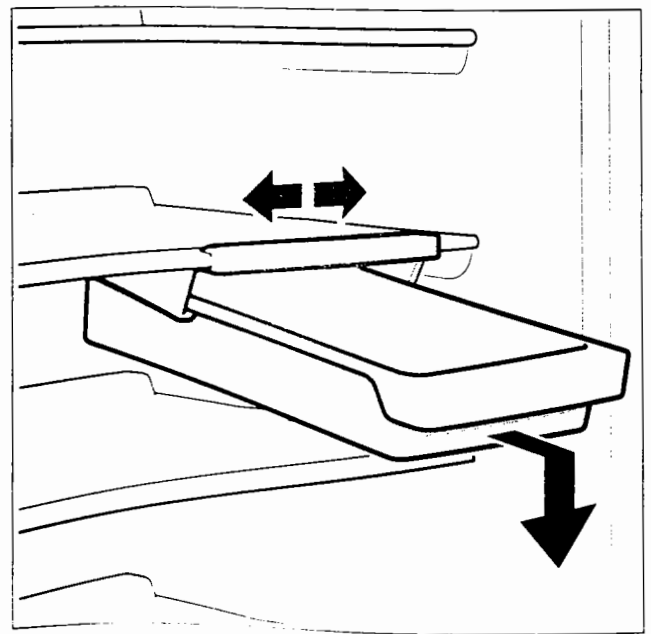
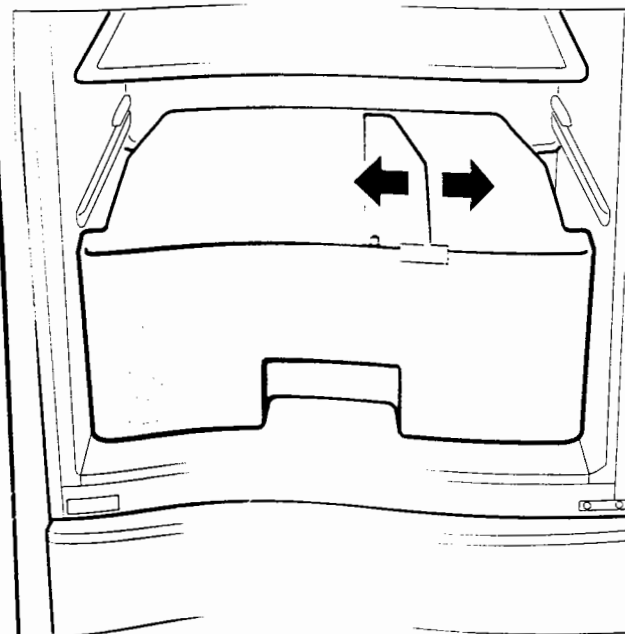
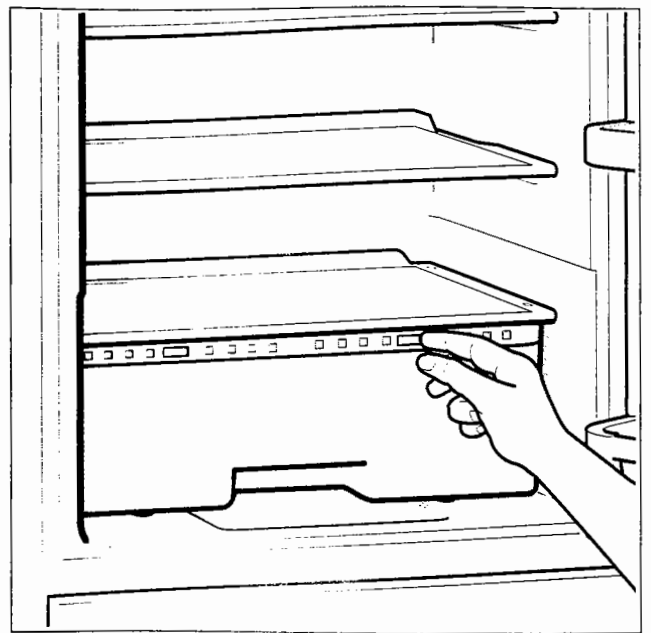
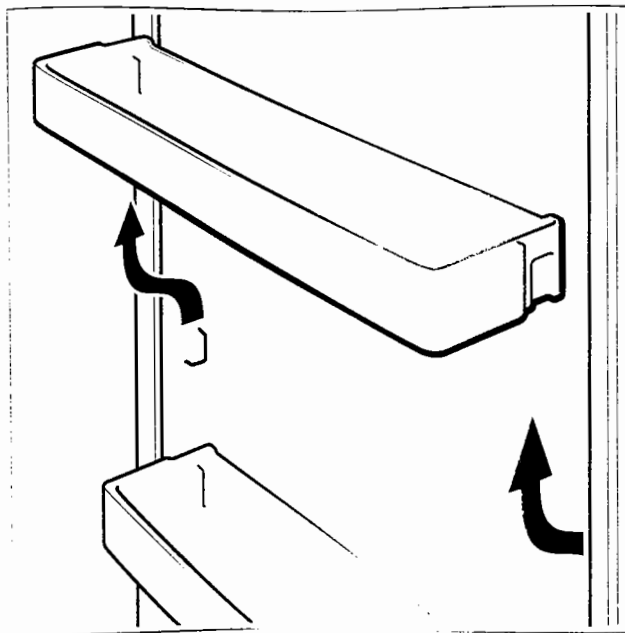
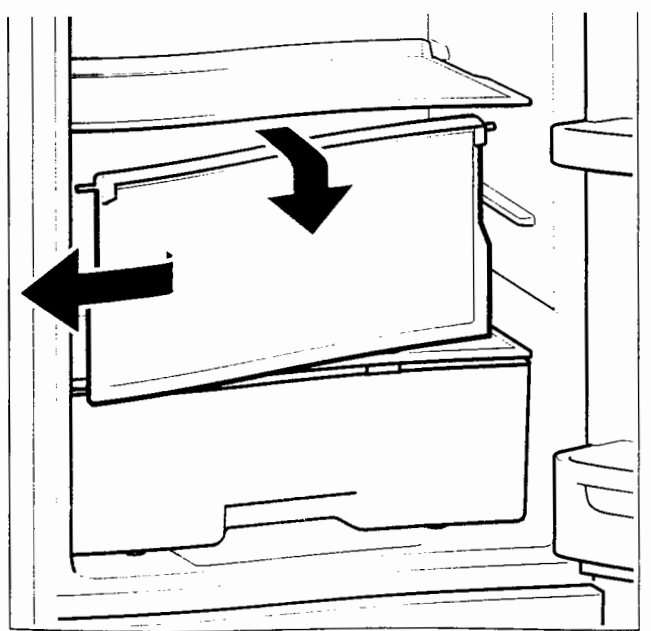
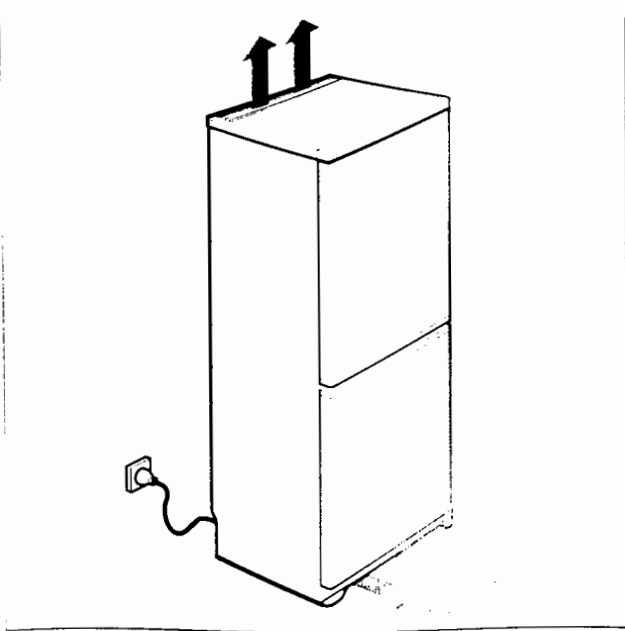
To prevent unnecessary call-outs, please assist customer service by quoting the product and production numbers. This will save you additional costs.

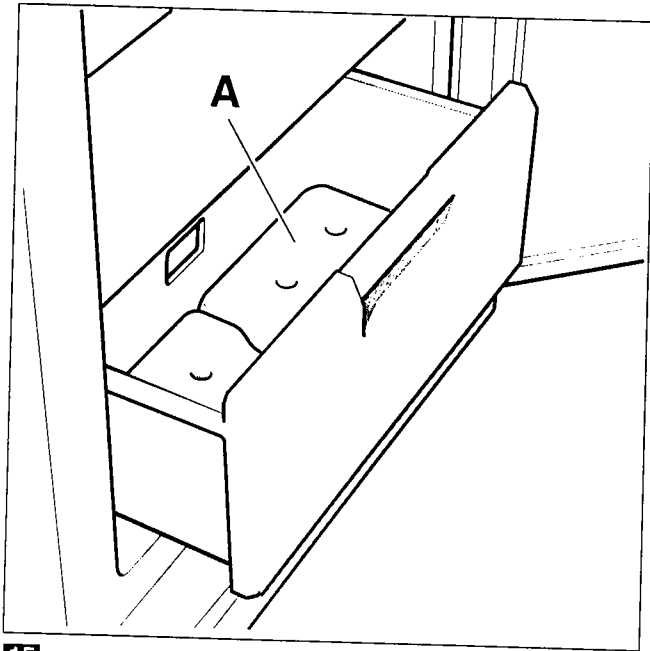


**1**

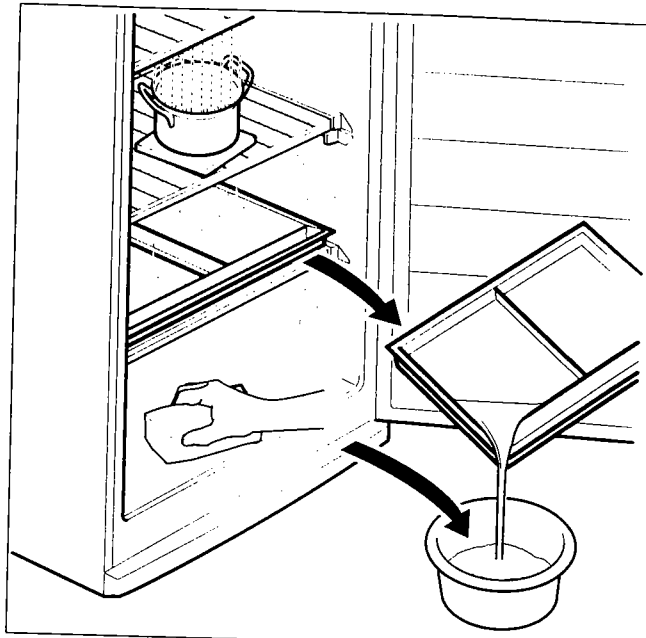


**2**

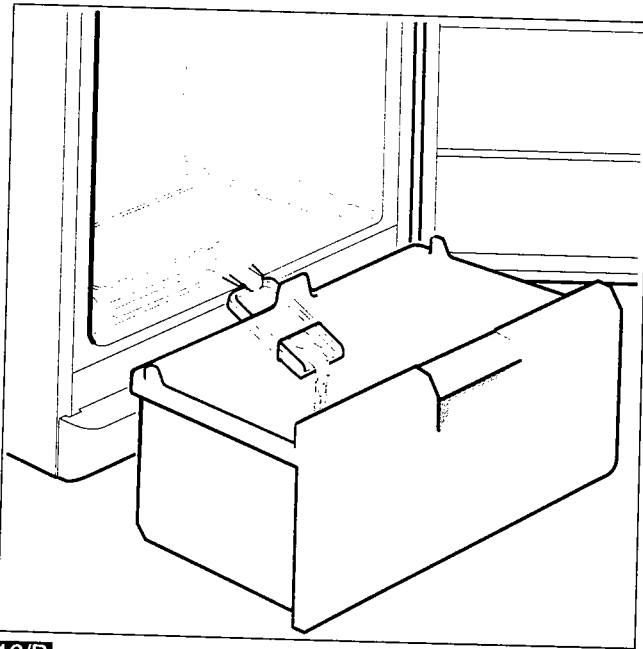




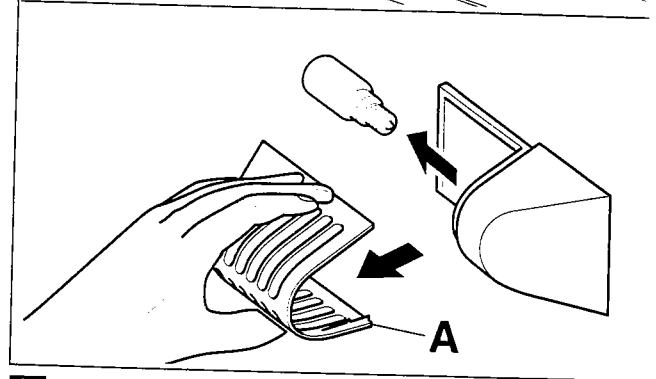
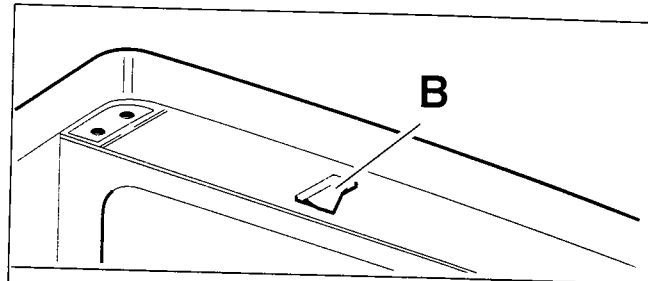
15



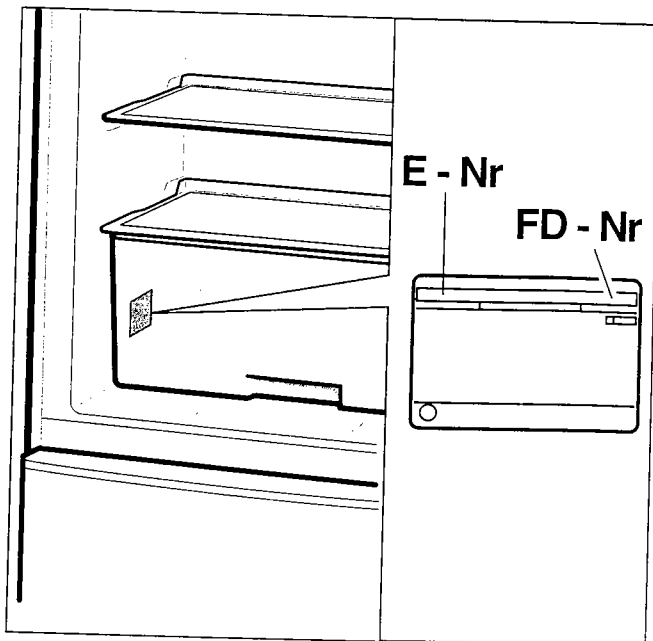
16/A



16/B

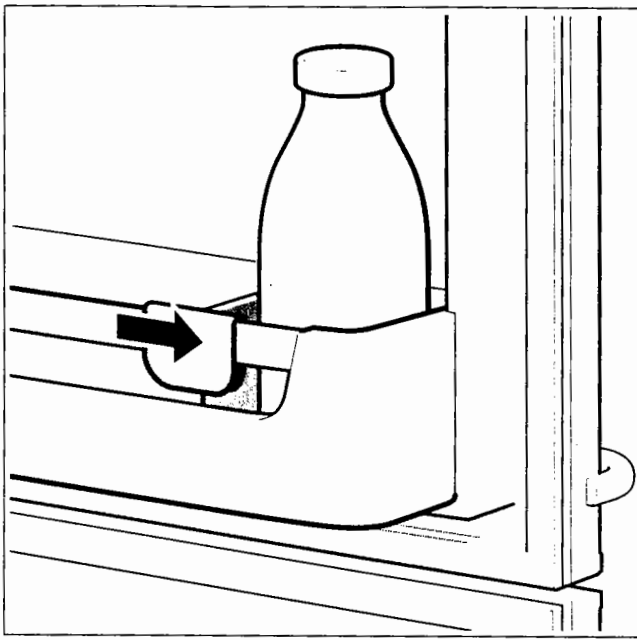


17

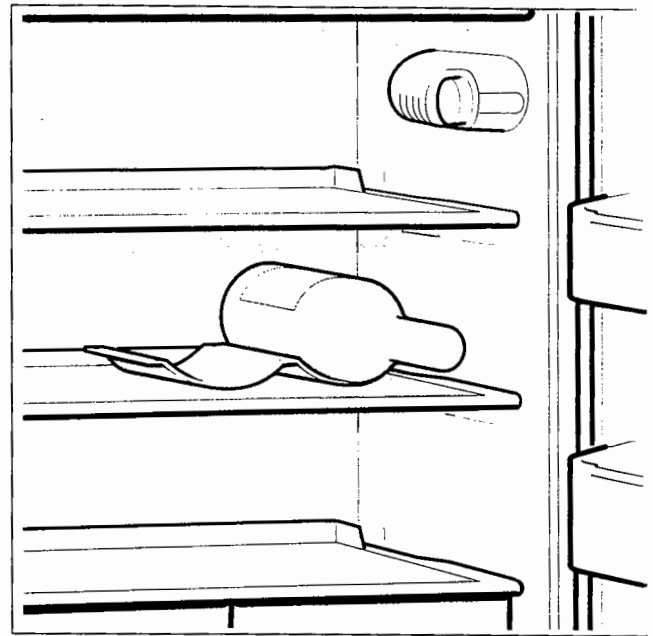


18

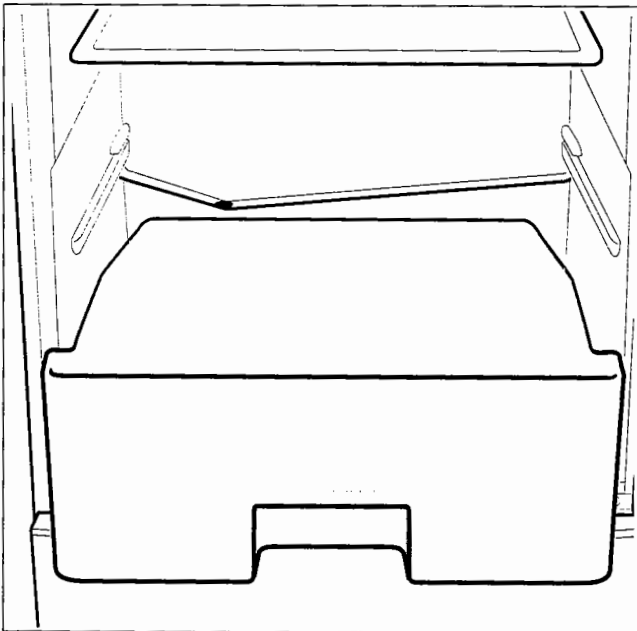




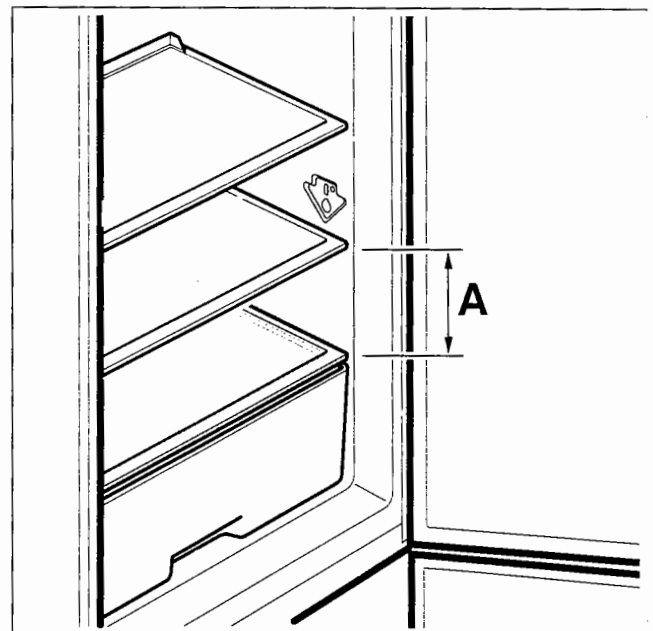
8



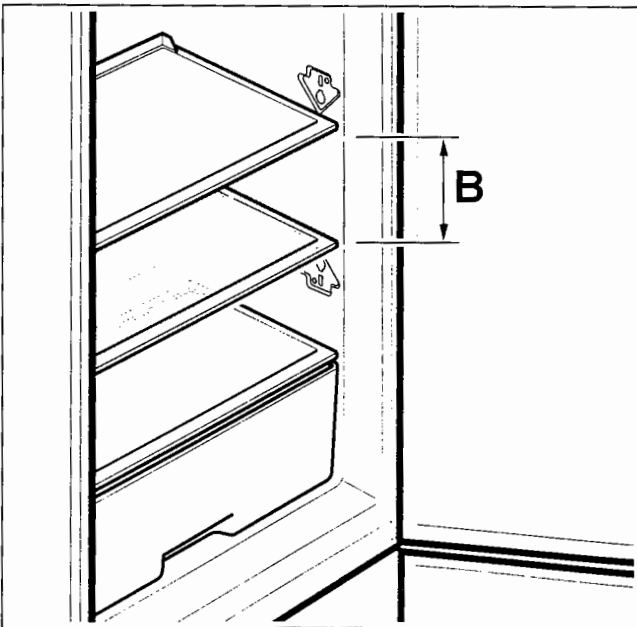
9



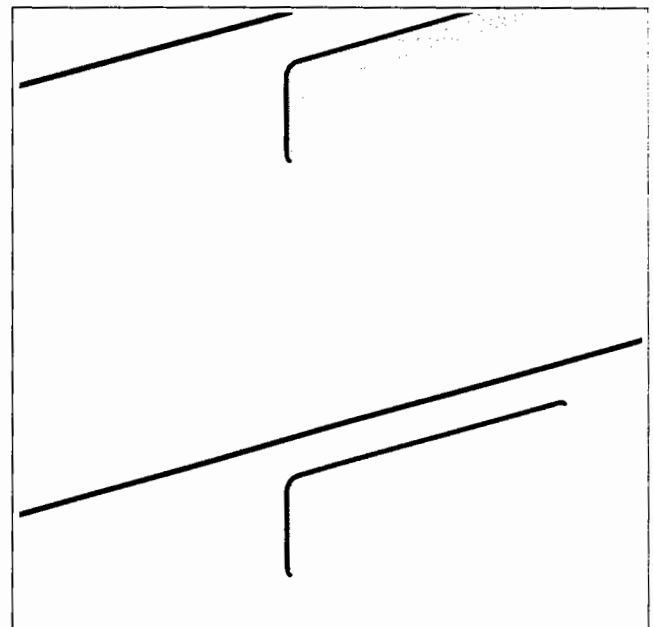
11



12A



12/B



14