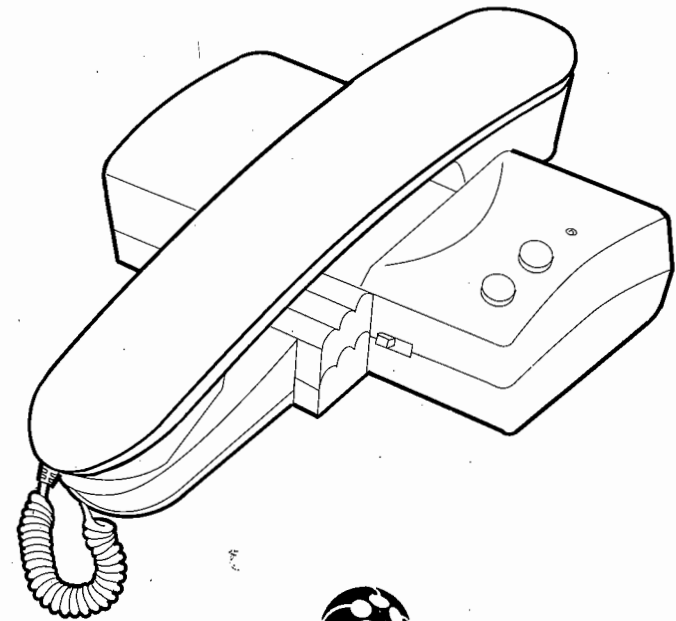


The logo for Commax, featuring the word "commax" in a lowercase, sans-serif font with a registered trademark symbol (®) to its upper right. The logo is positioned on a black rectangular background that also contains several white circles of varying sizes in the upper right corner.

SECURITY
**DOOR PHONE
SYSTEM**

INSTRUCTION FOR USE

DP-2T



JUNG ANG ELECTRONICS CO., LTD.

■ INTRODUCTION

Congratulation on the purchase of your new Security Doorphone System!

Please read these instructions carefully before installing your system and follow all of the directions to ensure proper installation.

This instruction manual explains in simple steps how to install, use, and care for your new security system in homes, offices or businesses.

■ PARTS CHECKLIST

Room Station	1
Mounting Bracket	1
Mounting Screws	8
Magnetic Switch	1
Door station	1

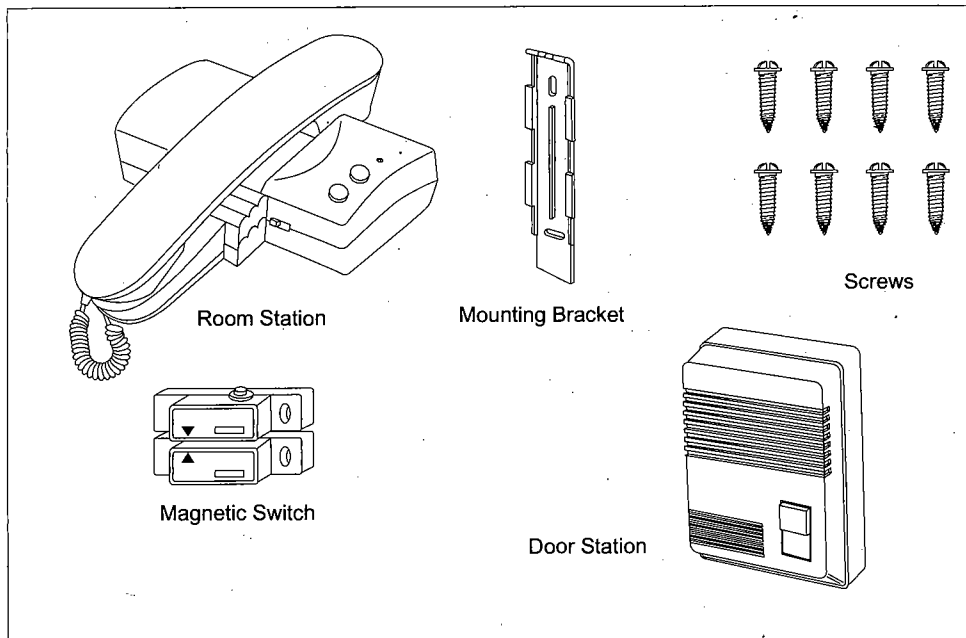


Figure 1

■ FEATURES

ROOM STATION

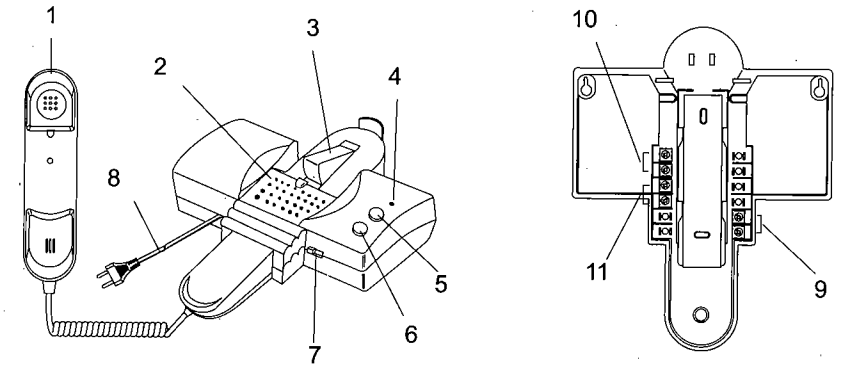


Figure 2

- 1. Handset**
Lift to communicate with your visitor.
- 2. Theft Enunciator Device**
Sounds Alarm if the invader comes in.
- 3. Hook**
Choose operation or stand-by mode by handset.
- 4. Security Lamp**
See set security mode.
- 5. Security Button**
Push to set security mode.
- 6. Door Release Button**
Releases the door to let your visitors in after checking them.
- 7. Call Sound Volume**
Permits the adjustment of the call sound volume.
- 8. AC Power cord**
Plugs the room station in to the AC outlet.
- 9. Terminal A**
connection to the electric door opener.
- 10. Terminal B**
Connection to the door station.
- 11. Terminal C**
connection to the magnetic switch.

DOOR STATION

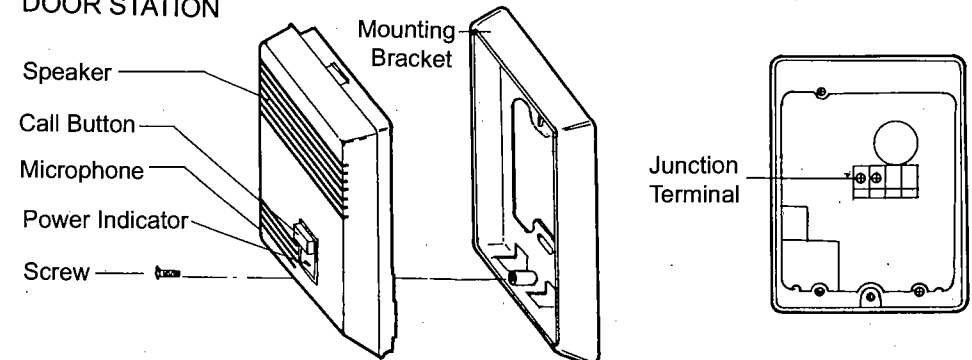


Figure 3

■ INSTALLATION

Room Station(Model DP-2T)has a bracket to facilitate wall-mounted installation. Secure the bracket to the wall with screws provided. Fit the slots in the Doorphone base over the hooks on the bracket and pull the Doorphone down slightly to secure.

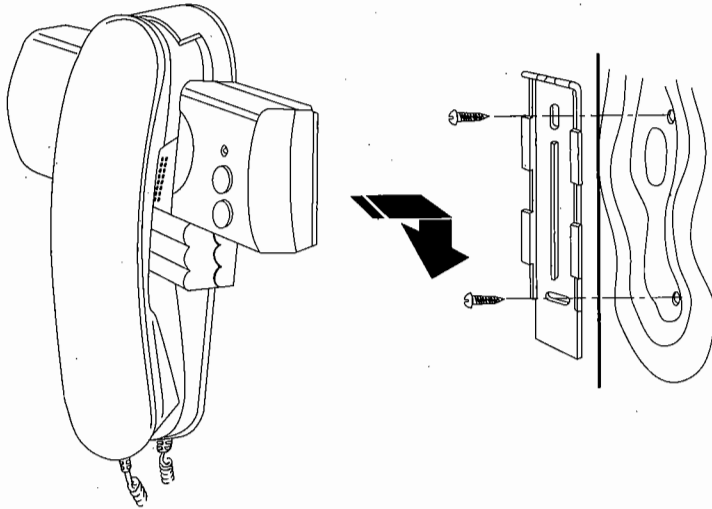


Figure 4

Loose the screw from Mounting Bracket, then separates a Door Station. Put a Mounting Bracket on the door or wall, then fixing it by use two screw. Connects Room Station with Door Station. Put in Door Station on Mounting Bracket, then fixing it by use a screw.

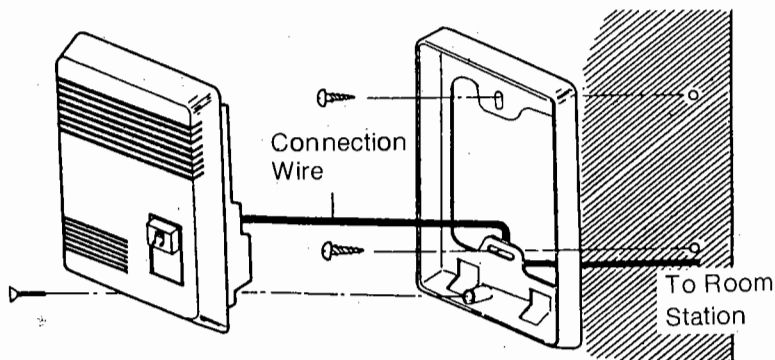


Figure 5

■ INSTALLATION

1. Install Switch at the frame work of door.
2. Install Magnetic at the door.

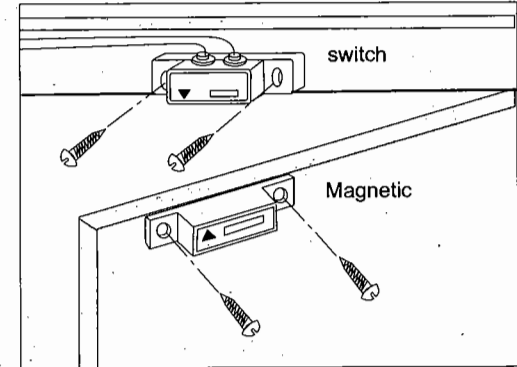


Figure 6

Where don't use screw (ex : pane), remove paper and install with adhesive tape.

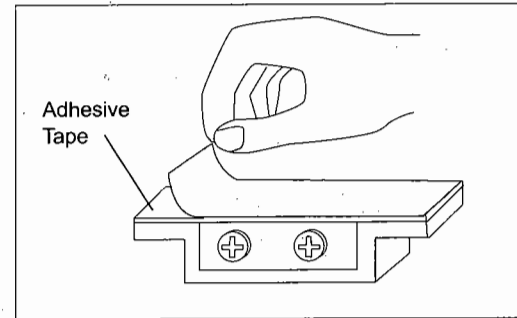


Figure 7

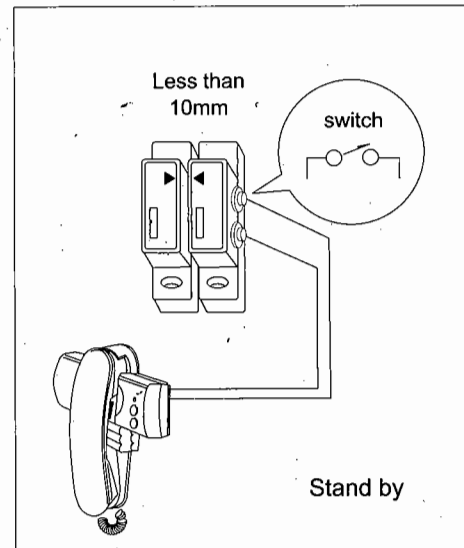


Figure 8

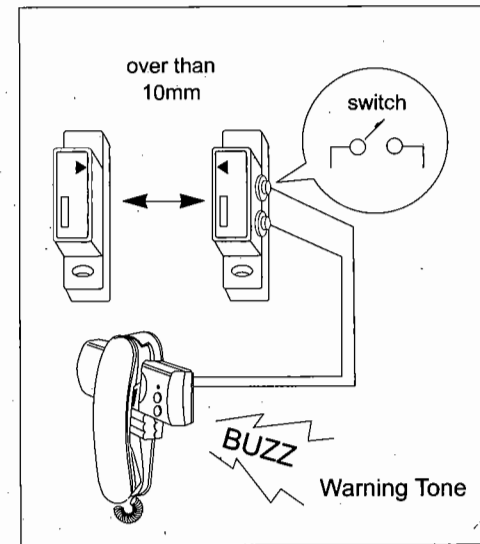


Figure 9

■ INSTALLATION

Install the Magnetic Switch at the window.

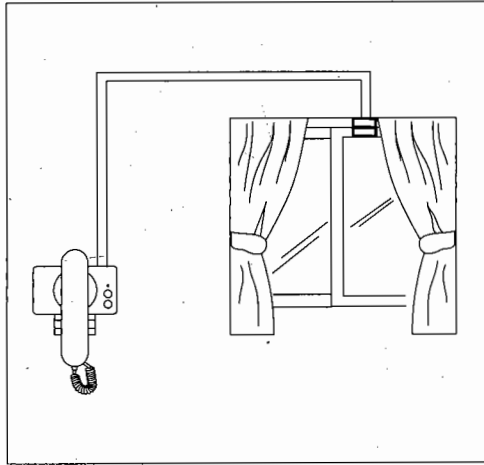


Figure 10

Install the Magnetic Switch at the door.

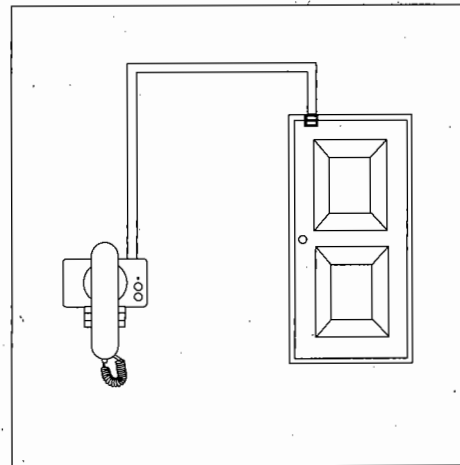


Figure 11

■ WIRING

Door Station

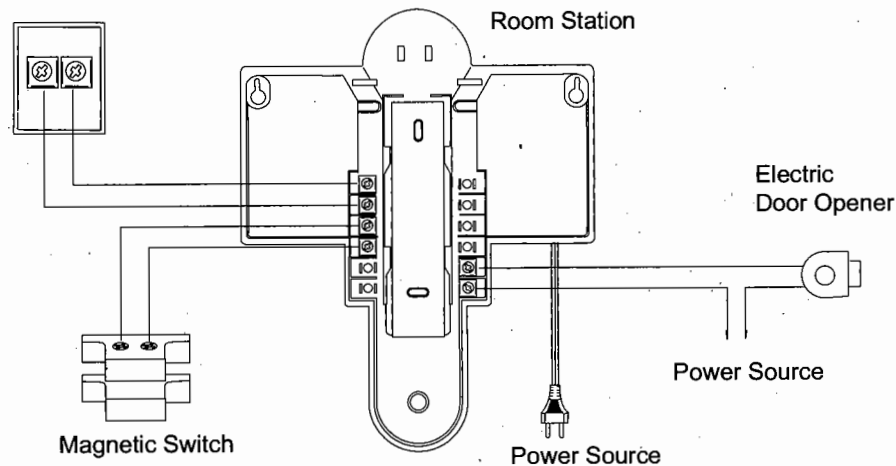


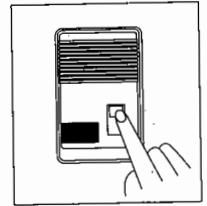
Figure 12

■ OPERATION

Insert AC Power Cord to outlet after wiring.

Visitor Calling:

1. A visitor presses the Call Button on the Door Station.
A call tone is heard which verifies the call was placed.
2. The visitor then talks handsfree after you answer the call.



Room Station :

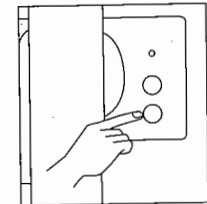
1. Pick up the Handset to talk to the visitor.
2. Hanging up the Handset returns the Room Station to stand by mode.



Note. call sound can be adjusted by Call Sound Volume.
(Figure 2)

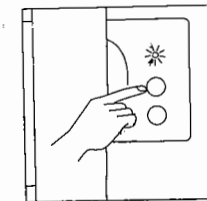
Operating the Electric Door Opener:

If desired depress and hold the Door Release Button which will activate the electric door strike (optional accessory required).



Security Alarm

1. When Push Security Button, Security Lamp is "ON". And setting security mode.
2. When Magnetic part Switch over than 10mm by invader. Alarm Sound hear at Room Station and Door Station.
3. If desired stop alarm sound, push Security Button again so Security Lamp is "OFF" and security mode cancel.



■ SPECIFICATION

Power Source	AC 110/120/220/230/240V, 50-60Hz
Power Consumption	4.5W
Call Tone	2 sound electronic chime
Alarm system	Warning tone
Maximum Wiring Distance	50m/165feet(22AWG)