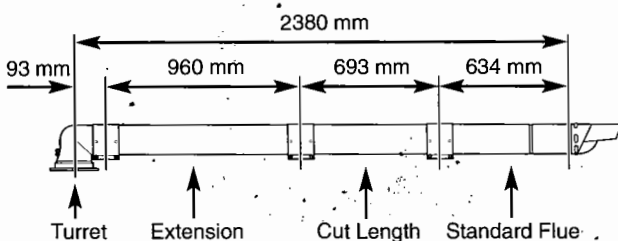
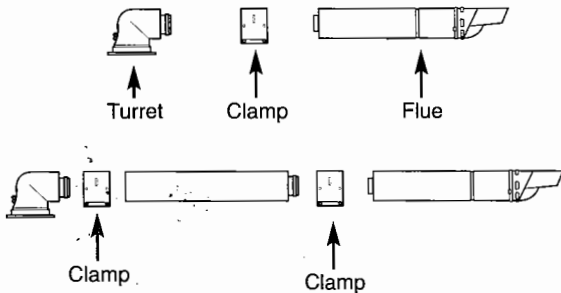
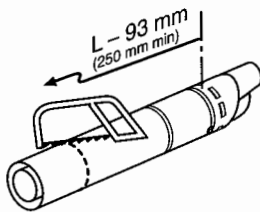
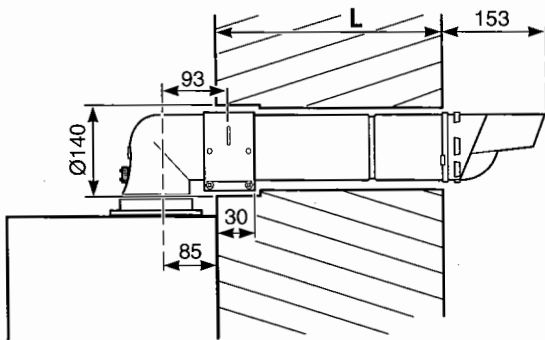
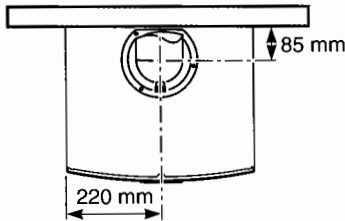


ADDENDUM

for Greenstar CDi using **Condensfit II** flue accessory

Flue Installation with 100 mm Horizontal Flue Kit 7 719 002 345



NOTE: To ease the assembly of flue components, apply silicone lubricant to sealing surfaces. The instructions for the 60/100 mm diameter flue are shown below.

MEASURING THE FLUE (Standard Flue):

- ▶ Measure from the outside wall to the centre line of the flue turret (length L).
- ▶ Subtract 93 mm from the length L to give the correct dimension to the flue elbow connection.
- ▶ The terminal section should be cut to this dimension, however it must not be shorter than 250 mm.
- ▶ After cutting the end must be square and free from burrs to prevent damage to the flue seals.

MEASURING THE FLUE (Extension Flue Kits):

NOTE: Only cut extended flue lengths.

- ▶ As with the Standard Flue measure from the outside wall to the centre line of the flue turret (length L).
- ▶ Subtract the efficient length of the standard flue (634 mm) from length L.
- ▶ Subtract the efficient length of the turret (93 mm) from length L.
- ▶ Subtract 960 mm for each full length extension from the figure.
- ▶ Cut one of the extensions to the remainder.
- ▶ Cut both tubes square taking care not to distort the tubes.
- ▶ Remove any burrs.

EXAMPLE:

Length	L =	2380 mm
Subtract Standard Flue	-	634 mm
Subtract Turret	-	93 mm
Subtract Full Extension	-	960 mm
<hr/>		
Cut Length	=	693 mm

NOTE: The 3 screws to fix the turret are in the hardware pack of the boiler.

6 720 612 133-01.10